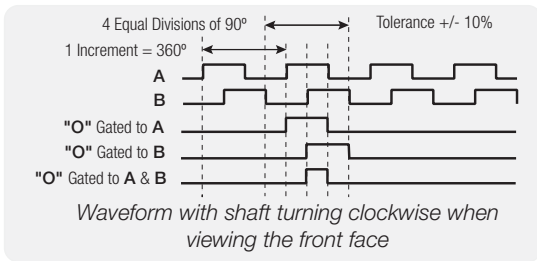


INSE Series

Incremental Shaft Encoder

Maximum Increments 65,000

Shaft Diameter 06mm



MECHANICAL SPECIFICATIONS

RPM Max. 9000

Torque 0.6 Ncm

Loading radial 80N

Loading axial 40N

Weight 300g

Temperature -20°C to +100°C

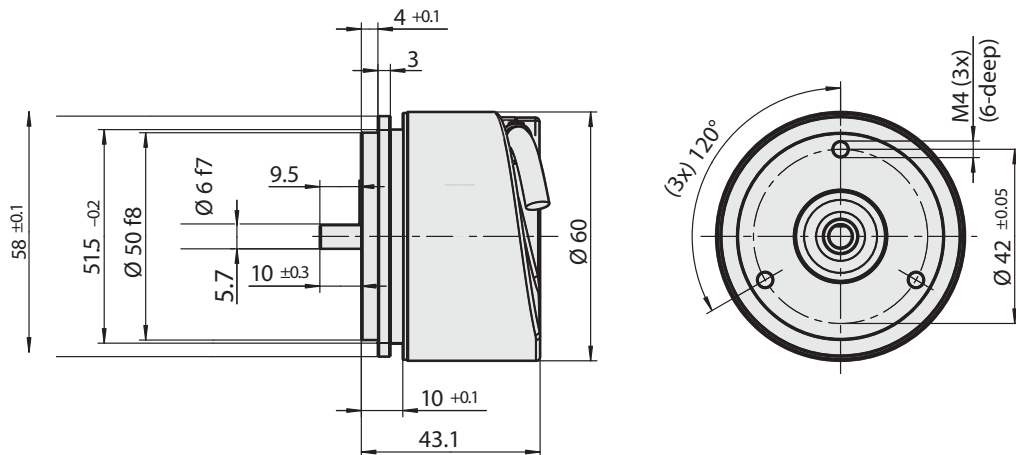
ELECTRICAL

Current consumption Max. 60mA

Signal frequency 600kHz

Switching load - Short circuit protected 40mA

Function	Plug Pin	Wire
0 Volts	1	Black
+ Volts	2	Red
Output Signals A	3	White
B	4	Blue
O	5	Yellow
A	6	Green
B	7	Violet
O	8	Brown



Part Number Selection Guide

Series				Mechanical Options				Electrical Options				Increment Range			
1	2	3	4	5	6	7	8	9	10	11	12	00001 to 65000			
I	N	S	E	0	6	H	U								

Stainless Steel Shaft Hole
Shaft 06mm

Housing Material
IP65 Aluminium H

Wiring Method
Cable 2 Metres 2
Cable 5 Metres 3
Cable - Custom Length .. 4

Wiring Entry
Universal U
Both Side and Rear

Voltage & Output Type
5 Volt Out - 5 to 30V In E
5-30 Volt - Push Pull M

Output Options
"O" Gated with A B
"O" Gated with B C
"O" Gated with A and B... D
Normally delivered as "D"

Output Channels
A, B, O, A, B, O 7

made in Germany
Sold and serviced in Australia by **PCA**