

ANHM Series

Absolute Shaft Encoder

Maximum Increments 8,192

Shaft Diameters 12 to 26mm

MECHANICAL SPECIFICATIONS

Maximum RPM 6000
 Torque >0.04Nm
 Loading Axial 40N, Radial 30Nm
 Weight 570g
 Temperature -20°C to +70°C

ELECTRICAL

Current Consumption 100mA
 Maximum output signal frequency 50kHz

NOTE: Short circuit protection on all wires

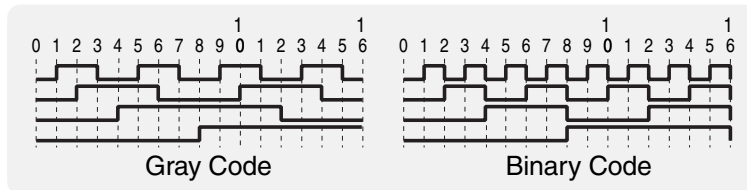
NOTE: Gray code encoders with a non cyclic output code (360, 720 etc) have a zero off-set applied. This ensures that only one bit changes between the highest value and the home or zero positions.

E.G. An encoder with 360 divisions for each rotation of the shaft, will read between 76 and 435 only. It will never read "0" even when the reset is applied, the lowest value will be 76.

FEATURES

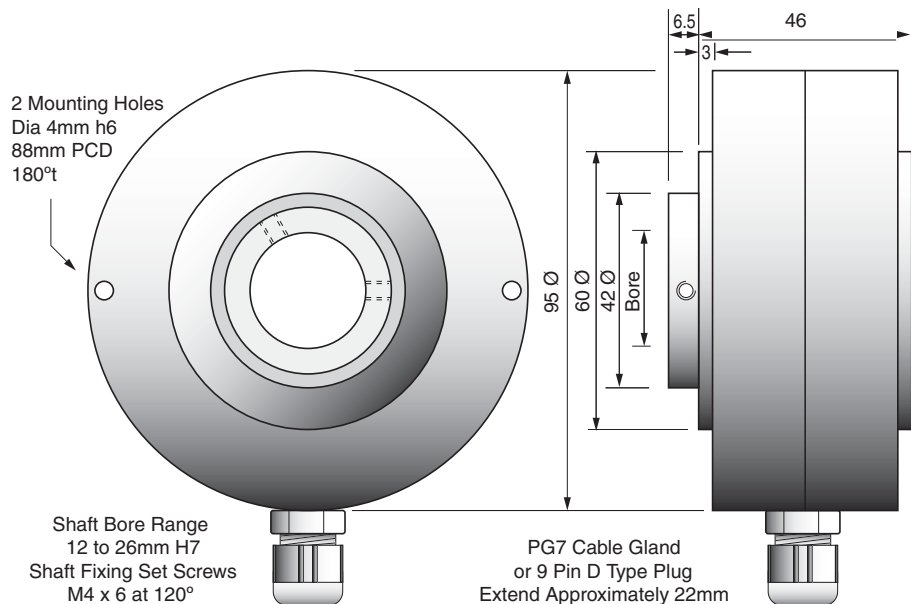
The ANHM encoders are suitable for most industrial applications. This series provides a high resolution option for a small body, up to 12 Bits. The hollow shaft system eliminates the necessity for most additional fixing hardware, such as flexible couplings, drive belts and mounting plates or brackets.

All absolute encoders have a control wire to change the count direction (up or down), with the control wire left open and the encoder shaft turning clockwise, (CW) the output value will increase. Connecting the control wire to the 0 Volt supply the output value with decrement as the shaft turns clockwise.



Function	Plug Pin	Wire
0 Volts	1	White
+ Volts	2	Brown
Bit 1 - 2 ⁰	3	Green
Bit 2 - 2 ¹	4	Yellow
Bit 3 - 2 ²	5	Grey
Bit 4 - 2 ³	6	Pink
Bit 5 - 2 ⁴	7	Blue
Bit 6 - 2 ⁵	8	Red
Bit 7 - 2 ⁶	9	Black
Bit 8 - 2 ⁷	10	Violet
Bit 9 - 2 ⁸	11	Grey/Pink
Bit 10 - 2 ⁹	12	Red/Blue
Bit 11 - 2 ¹⁰	13	White/Green
Bit 12 - 2 ¹¹	14	Brown/Green
	15	
? Direction CW/CCW	16	Yellow/Brown

NOTE: For other wiring and plug combinations refer to data sheet "Plug & Wiring Variations"



2 Mounting Holes
 Dia 4mm h6
 88mm PCD
 180°t

Shaft Bore Range
 12 to 26mm H7
 Shaft Fixing Set Screws
 M4 x 6 at 120°

PG7 Cable Gland
 or 9 Pin D Type Plug
 Extend Approximately 22mm

Part Number Selection Guide

Series				Mechanical Options				Electrical Options				Bit Range			
1	2	3	4	5	6	7	8	9	10	11	12	9-13 Bits 00512-08192			
A	N	H	M	<input type="checkbox"/>	<input type="checkbox"/>	<input type="checkbox"/>	S	<input type="checkbox"/>	<input type="checkbox"/>	A	<input type="checkbox"/>	<input type="checkbox"/>	<input type="checkbox"/>	<input type="checkbox"/>	<input type="checkbox"/>
Stainless Shaft Shaft 12 to 26mm								Voltage & Output Type 5 Volt TTL - Line Driver ... 1 8 to 30V - Push/Pull M							
Housing Material IP65 Aluminium H IP65 Stainless Steel R								Output Options None Fitted A							
Wiring Method Cable 2 Meters 2 Cable 5 Meters 3 Cable - Custom Length .. 4 Plug 16 Pin Metal M								Output Code Gray A Binary B							
Wiring Entry Side or Radial S															

A product of the world wide **GESgroup** made by W+S Germany Sold and serviced in Australia by **PCA**