

INSB Series

Incremental Shaft Encoder

Maximum Increments1,024

Shaft Diameters 4 or 6mm

MECHANICAL SPECIFICATIONS

Maximum RPM 6000
 Torque >0.4Nm
 Loading Axial 30N, Radial 20N
 Weight 120g
 Temperature -20°C to +70°C

ELECTRICAL

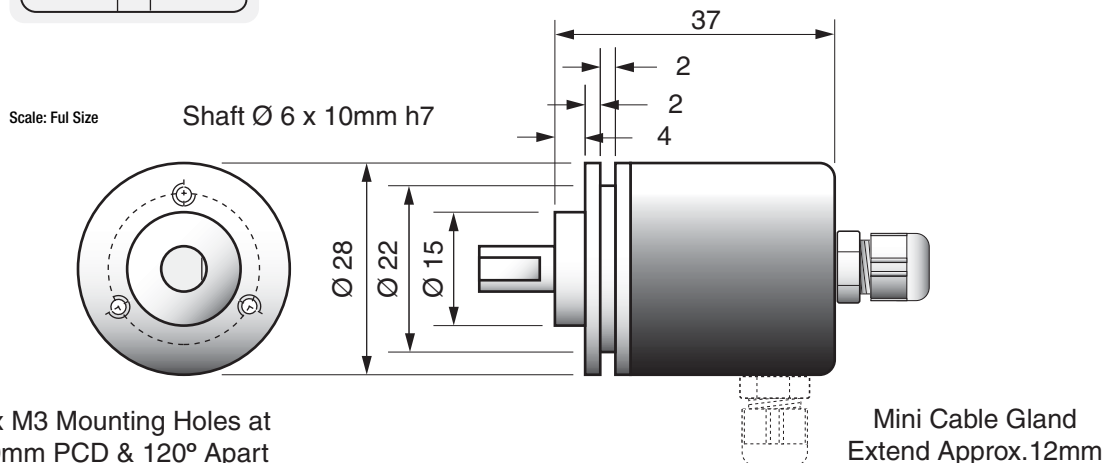
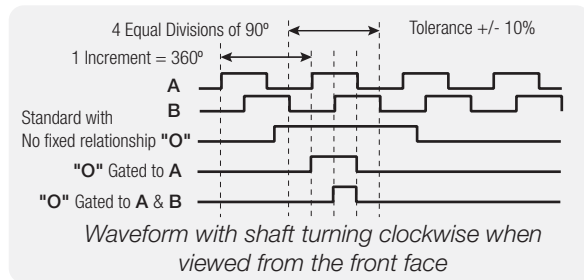
Current Consumption 40mA
 Maximum output signal frequency 100Hz
NOTE: Short circuit protection on all wires

FEATURES

The INSB encoders are one from our miniature range, despite their small size they are suitable for most industrial applications. This series provides, up to 512 true A B phase signals without any logic manipulation of the reading head data.

A range of couplings are available, refer to the couplings data sheets for full details. **NOTE:** A flexible coupling must always be used to attach the encoder to the drive shaft.

Function	Plug Pin	Wire
0 Volts	1	White
+ Volts	2	Brown
Output Signals A	3	Green
Output Signals B	4	Yellow
Output Signals O	5	Grey
Output Signals A	6	Pink
Output Signals B	7	Blue
Output Signals O	8	Red



3 x M3 Mounting Holes at 20mm PCD & 120° Apart

Mini Cable Gland Extend Approx. 12mm

Part Number Selection Guide

Series				Mechanical Options				Electrical Options				Increment Range				
1	2	3	4	5	6	7	8	9	10	11	12	00001 to 01024				
I	N	S	B	O		H				A	L	/				
Stainless Shaft Shaft 04 or 06mm				Housing Material IP65 Aluminium H				Wiring Entry Rear or Axial R Side or Radial S				Voltage & Output Type 4.75 to 30 - Push Pull L				
Wiring Method Cable 2 Metres 2 Cable 5 Metres 3 Cable - Custom Length .. 4												Output Options Standard A				
												Output Channels A, B, O 3 A, B, O, A̅, B̅, O̅ 7				

A product of the world wide **GESgroup**
 made by W+S Germany
 Sold and serviced in Australia by **PCA**