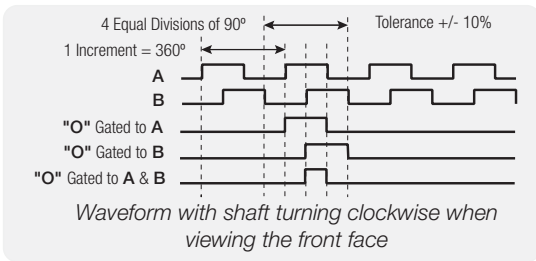


INHE Series

Incremental Hollow Shaft Encoder

Maximum Increments 65,000

Shaft Hole Diameter 06 to 15mm



MECHANICAL SPECIFICATIONS

RPM Max. 9000

Torque 0.6 Ncm

Loading ... Designed to support its own weight

Weight 200g

Temperature -20°C to +100°C

ELECTRICAL

Current consumption Max. 60mA

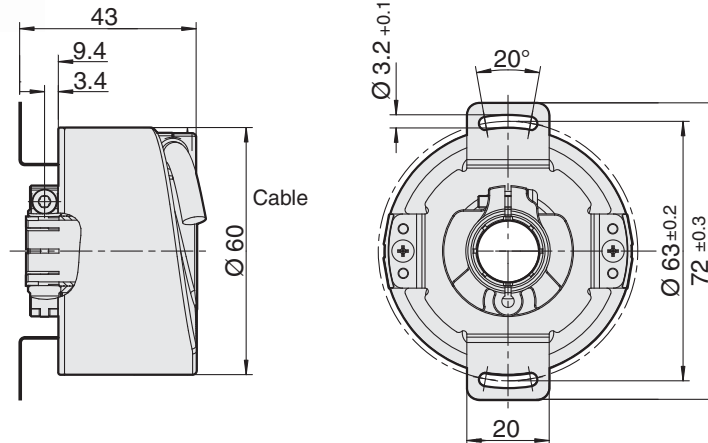
Signal frequency 600kHz

Switching load - Short circuit protected 40mA

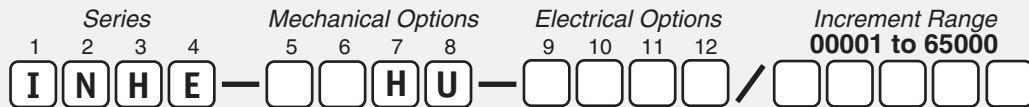


Function	AUS Plug Pin	Wire
0 Volts	1	Black
+ Volts	2	Red
A	3	White
B	4	Blue
O	5	Yellow
A	6	Green
B	7	Violet
O	8	Brown

Minimum shaft length required for reliable fixing 15mm



Part Number Selection Guide



Stainless Steel Shaft Hole
Shaft Hole 15mm
Reducing Bush .. 6, 10, 12mm

Housing Material
IP65 Aluminium H

Wiring Method
Cable 2 Metres 2
Cable 5 Metres 3
Cable - Custom Length .. 4

Wiring Entry
Universal U
Both Side and Rear

Voltage & Output Type
5 Volt Out - 5 to 30V In E
5-30 Volt - Push Pull M

Output Options
"O" Gated with A B
"O" Gated with B C
"O" Gated with A and B... D
Normally delivered as "D"

Output Channels
A, B, O, A, B, O 7

made in Germany
Sold and serviced in Australia by **PCA**