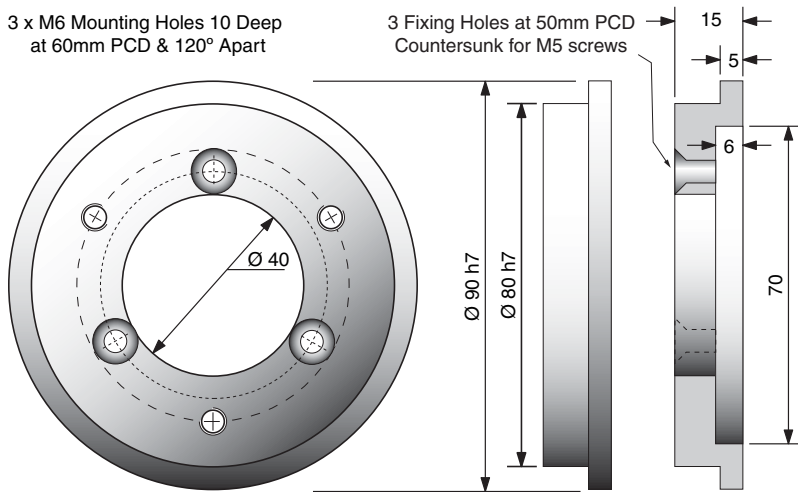


# Flanges Special

3 x M6 Mounting Holes 10 Deep  
at 60mm PCD & 120° Apart

3 Fixing Holes at 50mm PCD  
Countersunk for M5 screws



PART No: **AF70-90**

Optional types:

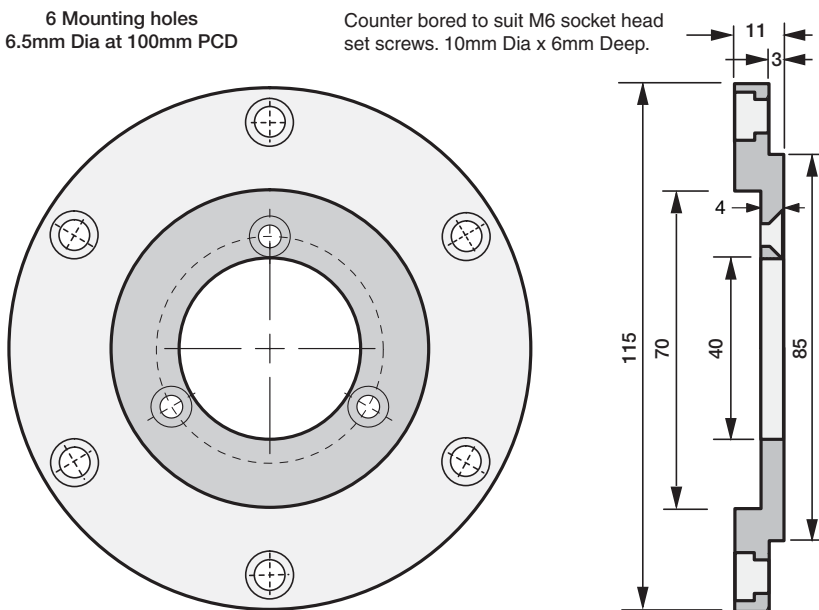
**AF70-90-AL** = Anodized aluminium

**AF70-90-SS** = Stainless Steel

This flange is used in conjunction with the 70mm diameter INSH or IPSH Series encoders, to make an INSL or IPSL 90mm diameter series encoder.

6 Mounting holes  
6.5mm Dia at 100mm PCD

Counter bored to suit M6 socket head  
set screws. 10mm Dia x 6mm Deep.



PART No: **AF70-REO**

Optional types:

**AF70-REO-AL** = Anodized aluminium

**AF70-REO-SS** = Stainless Steel

REO Adaptor Flange for 70mm Dia  
Series encoders

*NOTE: Refer to drawing  
"Flange-Plug" file for the  
more common range of  
flanges.*

Encoder mounting holes  
3 x M5 at 50mm PCD 120° apart