

AWD Series

Retractable Wire Drum
 Linear to Rotary Converter
 Stroke Range .. 3000 or 5000mm

MECHANICAL SPECIFICATIONS

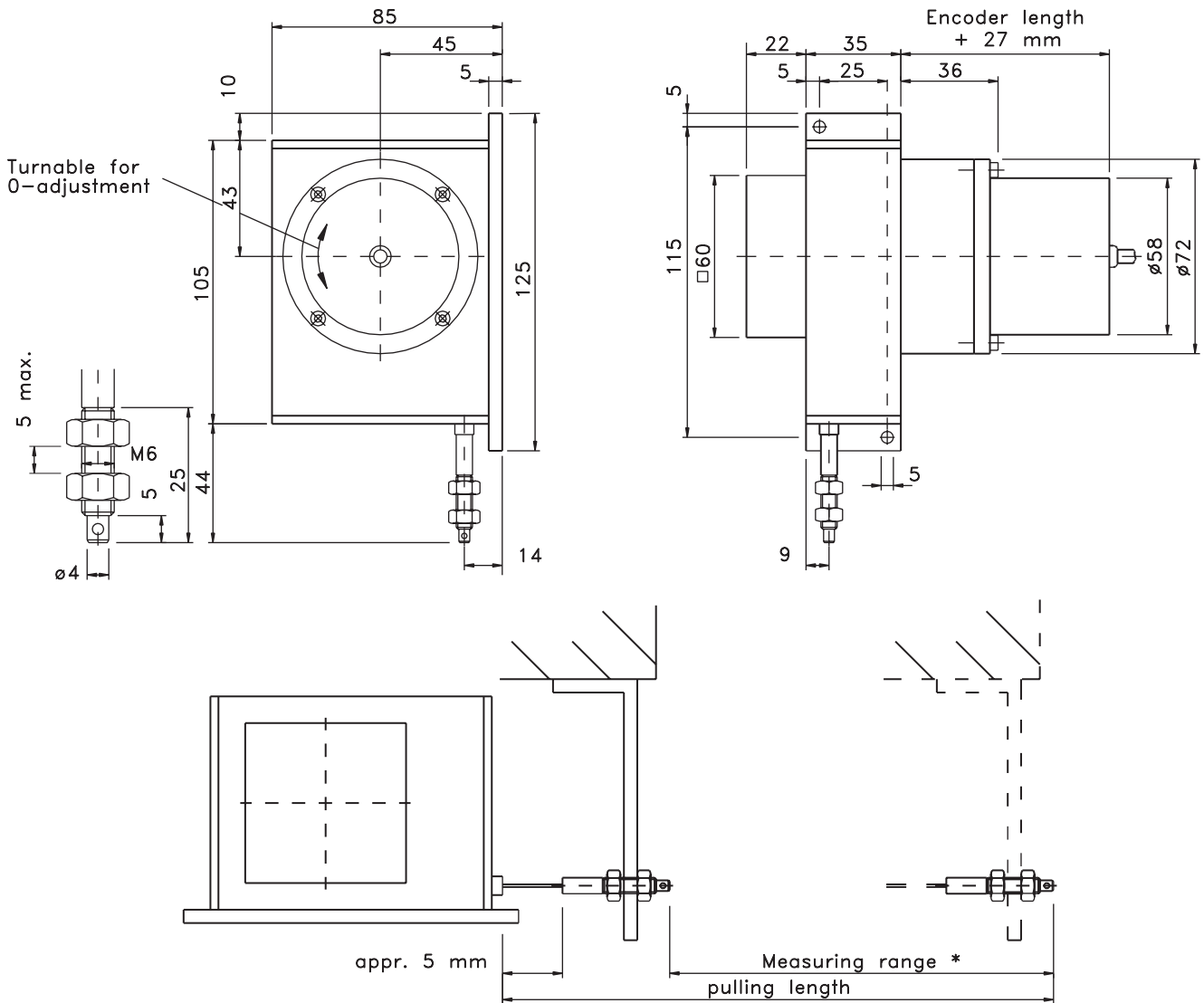
Maximum velocity 3000mm/Sec
 Spring return power 4 - 10Nm
 Weight 550g
 Temperature -20°C to +70°C
 Measuring resolution 0.05% of full scale
 Drum circumference 200mm
 Housing material Aluminium
 Wire material AWD-3000 .. Plastic coated steel
 Wire material AWD-5000 Stainless steel

FEATURES

The AWD series provides an economical means of measuring linear motion. A standard 58mm diameter incremental or absolute rotary shaft encoder is coupled to a spring loaded drum which has a wire coiled around it. As the wire is extended and retracted the encoder is turned.

The drum circumference is 200mm. Therefore an encoder with 200 increments per revolution will provide one pulse for each millimetre of linear motion.

The drum is fitted with dual heavy duty bearings and the wire is made of non corrosive twisted steel particularly selected to resist environmental pollution.



NOTE. There is a step in the 200mm/turn measuring increment once the measuring length exceeds 5 metres, refer to additional application note when using the 10 Metre product.

Part Number Selection Guide

3 Metre Measuring Range	AWD-3000
5 Metre Measuring Range	AWD-5000
10 Metre Measuring Range	AWD-10000