

Couplings - Brackets - Wheels

Couplings



Hub - Zinc. Coupling - Polyurethane

Part Number	Hub Hole IN - mm	Hub Hole OUT - mm	Outside Diameter - mm	Length - mm	Torque - N.m	Static Torsional Stiffness - N.m/rad	Weight - g	Maximum Eccentricity - mm	Maximum Angularity - °	Maximum End Play - mm
Standard Type										
CST16-06x06	6	6	16	27	0.5	22	3	0.2	2	Nil
CST20-10x10	10	10	20	34	1.0	43	9	0.2	2	Nil
CST25-12x12	12	12	25	41	1.5	84	12	0.2	2	Nil



Hub - Aluminium. Coupling - Polyacetal

Part Number	Hub Hole IN - mm	Hub Hole OUT - mm	Outside Diameter - mm	Length - mm	Torque - N.m	Static Torsional Stiffness - N.m/rad	Weight - g	Maximum Eccentricity - mm	Maximum Angularity - °	Maximum End Play - mm
Oldham Type										
COL16-06x03	6	3	16	18	0.7	7	31	1.0	3	Nil
COL16-06x06	6	6	16	18	0.7	7	31	1.0	3	Nil
COL25-10x05	10	5	25	28	2.0	28	140	2.0	3	Nil
COL25-10x10	10	10	25	28	2.0	28	140	2.0	3	Nil
COL32-12x08	12	8	32	33	4.5	55	280	2.5	3	Nil
COL32-12x12	12	12	32	33	4.5	55	280	2.5	3	Nil



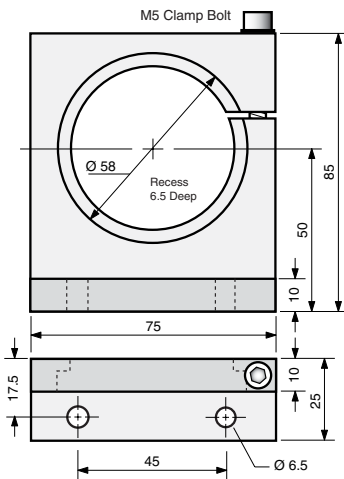
Hub - Aluminium. Bellows - Bronze
Hub and Bellows - Stainless Steel

Part Number	Hub Hole IN - mm	Hub Hole OUT - mm	Outside Diameter - mm	Length - mm	Torque - N.m	Static Torsional Stiffness - N.m/rad	Weight - g	Maximum Eccentricity - mm	Maximum Angularity - °	Maximum End Play - mm
No Backlash Bronze										
CBR16-06x06	6	6	16	26.5	0.5	10	110	0.10	1.5	+0.4/-1.2
CBR20-10x10	10	10	20	32	0.8	20	180	0.15	2	+0.6/-1.8
CBR25-12x12	12	12	25	36.5	1.3	35	240	0.15	2	+0.6/-1.8
No Backlash Stainless										
CSS16-06x06	6	6	16	26.5	1.0	25	150	0.10	1.5	+0.4/-1.2
CSS20-10x10	10	10	20	32	1.5	45	220	0.15	2	+0.6/-1.8
CSS25-12x12	12	12	25	36.5	2.0	85	330	0.15	2	+0.6/-1.8

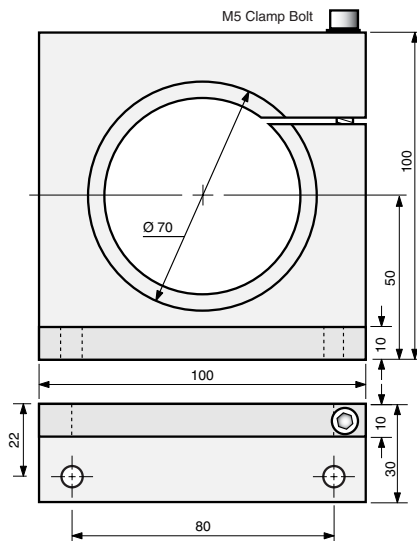
Clamp Brackets

Material - anodised aluminium

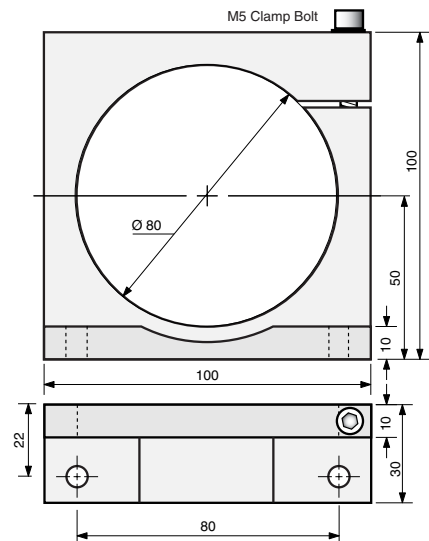
Part Number **AB58-CL-AL**
For all 58mm Diameter Encoders



Part Number **AB70-CL-AL**
For all 70mm Diameter Encoders

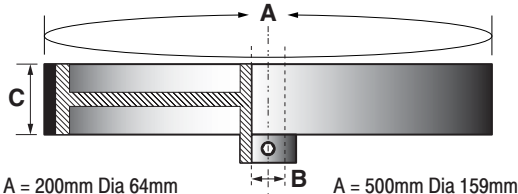


Part Number **AB90-CL-AL**
For all 90mm Diameter Encoders



NOTE: Refer to additional data sheets for our range of adaptor flanges.

Measuring Wheels



Rolling Surface	Circumference	Shaft Hole	Width	Part Number
Knurled Aluminium	200mm	6mm	12mm	AWM-200-06
Flat Plastic	200mm	6mm	12mm	AWP-200-06
Textured Plastic	200mm	6mm	12mm	AWR-200-06
Knurled Aluminium	500mm	12mm	25mm	AWM-500-12
Flat Plastic	500mm	12mm	25mm	AWP-500-12
Textured Plastic	500mm	12mm	25mm	AWR-500-12