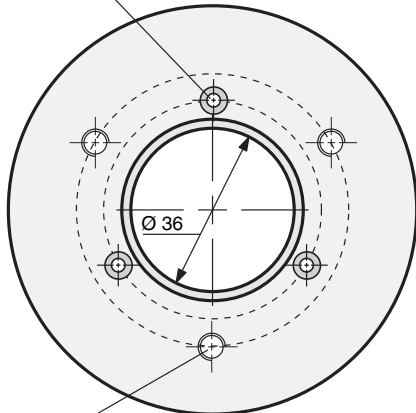


Flanges and Plugs

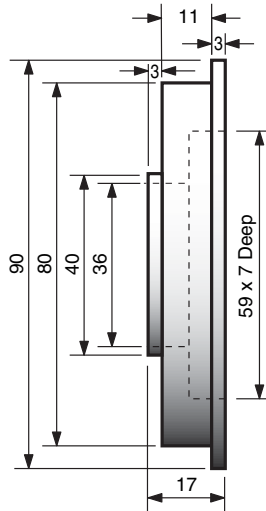
58mm to 90mm Adaptor Flange

Part Number: **AF58-90-AL**

3 x 3mm holes at 48 PCD
Countersink to 6mm Dia.



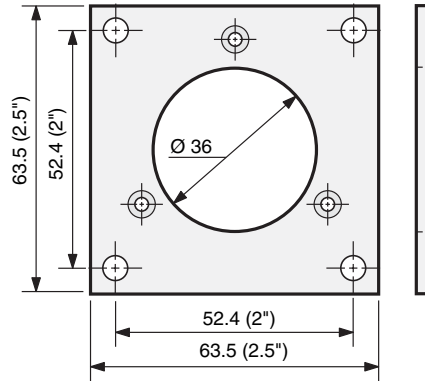
3 x M6 at 60 PCD 6mm Deep



58mm to 2.5" Square (USA Type) Flange

Part Number: **AF58-63x63**

Mounting Holes
4 x 5.5 Dia
Aluminium Plate
3mm Thick

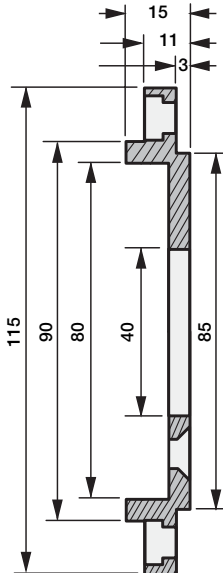
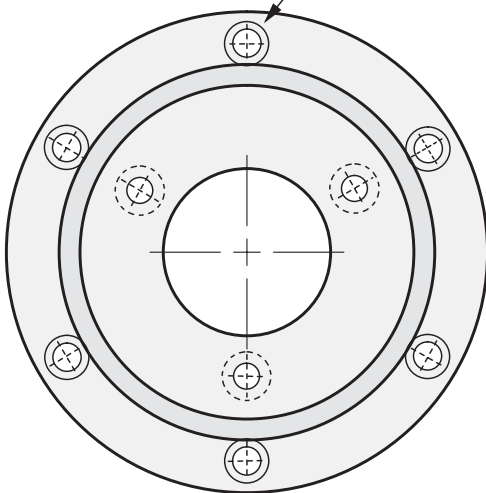


Adaptor Flanges

REO Flange

Part Number: **AF90-REO**

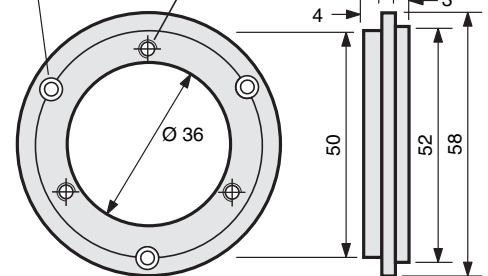
Mounting holes
6.5mm Dia at 100mm PCD



58mm to Servo Ring Adaptor

Part Number: **AF58-E**

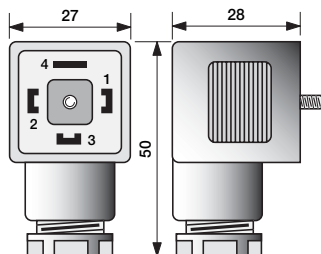
Mounting Holes
3xM4 at PCD 42
Ø 3 at PCD 48



These flanges provide a mounting adaptation to allow our 58mm and 90mm diameter encoders to replace a wide range of other encoder housings.

4 Pin Plastic Plug

Part Number: **AP04-CS-PS**

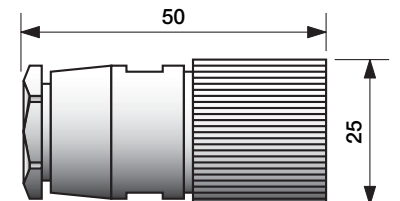


Wiring termination is made with screw terminals

Plugs & Wiring

?Metal Plugs

Pins	Part Number
12 Pin:	AP12-CS-MA
16 Pin:	AP16-CS-MA
17 Pin:	AP17-CS-MA
21 Pin:	AP21-CS-MA
26 Pin:	AP26-CS-MA



Wiring termination is made with solder terminals

NOTE: This plug can be used ONLY if A & B output channels are required. To maintain environmental protection standards the gasket supplied MUST be fitted between the plug mating faces. To select this four pin plug, place an "A" in the 9th digit and a "2" in the 10th digit of the part number.

Australian assembled Plug Lead Wiring Termination

