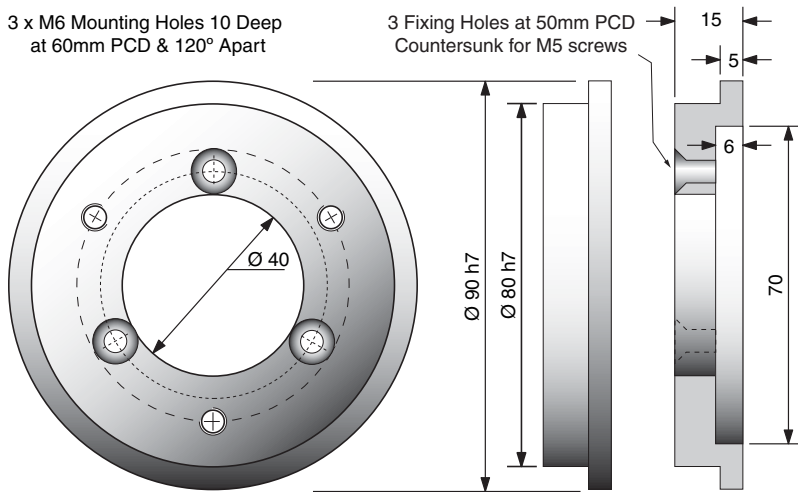


Flanges Special

3 x M6 Mounting Holes 10 Deep
at 60mm PCD & 120° Apart

3 Fixing Holes at 50mm PCD
Countersunk for M5 screws



PART No: **AF70-90**

Optional types:

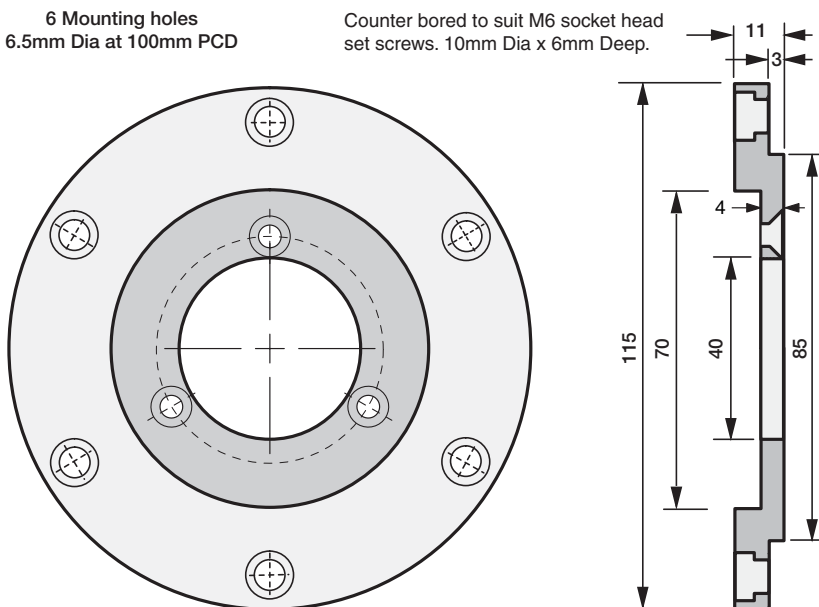
AF70-90-AL = Anodized aluminium

AF70-90-SS = Stainless Steel

This flange is used in conjunction with the 70mm diameter INSH or IPSH Series encoders, to make an INSL or IPSL 90mm diameter series encoder.

6 Mounting holes
6.5mm Dia at 100mm PCD

Counter bored to suit M6 socket head
set screws. 10mm Dia x 6mm Deep.



PART No: **AF70-REO**

Optional types:

AF70-REO-AL = Anodized aluminium

AF70-REO-SS = Stainless Steel

REO Adaptor Flange for 70mm Dia
Series encoders

*NOTE: Refer to drawing
"Flange-Plug" file for the
more common range of
flanges.*

Encoder mounting holes
3 x M5 at 50mm PCD 120° apart