

APSG Series

Absolute Shaft Encoder IP66/67

Maximum Increments 8192

Shaft Diameter Range 6, 10 or 12mm

MECHANICAL SPECIFICATIONS

RPM Max. 3000
 Torque > 3Ncm
 Loading Axial 10N, Radial 10N
 Weight Aluminium 300g Stainless 600g
 Temperature -20°C to +85°C

ELECTRICAL

Current consumption Max. 100mA
 Signal frequency 100kHz
 Switching load 40mA

FEATURES

The APSG encoders are suitable for most industrial applications. The series provides a high resolution for a small body size, up to 13 Bits.

The direction select control wire determines the relationship between the rotation of the shaft and the count direction of the output. With the wire tied to the + the output value will increase as the shaft turns clockwise (CW), when the wire is connected to the 0 Volt supply the output will increase as the shaft turns counter clockwise (CCW)

These encoders are machined from either aluminium or stainless steel, both with a range of double lip shaft seals filled with grease to suit most environments.

Function	Plug Pin	Wire
0 Volts	1	Black
+ Volts	2	Red
Bit 1 - 2 ⁰	3	White
Bit 2 - 2 ¹	4	Blue
Bit 3 - 2 ²	5	Yellow
Bit 4 - 2 ³	6	Green
Bit 5 - 2 ⁴	7	Violet
Bit 6 - 2 ⁵	8	Brown
Bit 7 - 2 ⁶	9	Pink
Bit 8 - 2 ⁷	10	Turquoise
Bit 9 - 2 ⁸	11	Grey
Bit 10 - 2 ⁹	12	Orange
Bit 11 - 2 ¹⁰	13	Green/Red
Bit 12 - 2 ¹¹	14	Red/Blue
Bit 13 - 2 ¹²	15	Yellow/Red
? Select CW/CCW	16	Red/Black

NOTE: Refer to COUPLING data sheet for our range of Stainless Steel zero backlash shaft couplings

Shaft Sealing Options

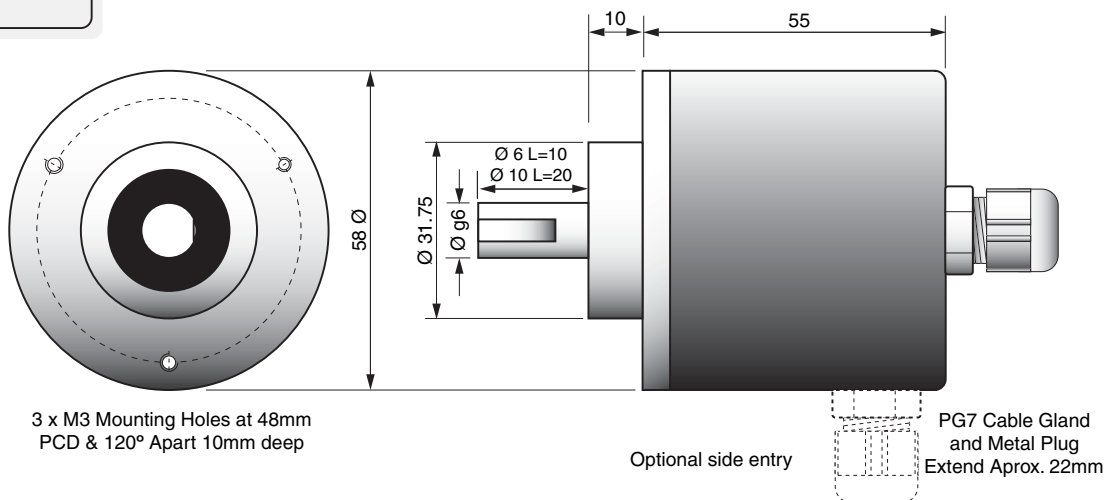
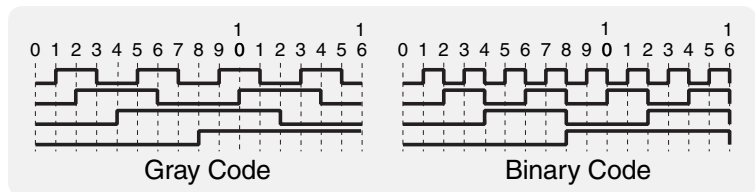
Nitrile = General Industrial Use

Food = Approved in USA & UK use with food

PTFE = High Speed Low Torque

Viton Peroxide = Chemical & Acid resistant

EPDM = Thurban material for outdoor use - resistant to UV and ozone damage



Part Number Selection Guide

Series				Mechanical Options				Electrical Options				Increment Range 00256 to 08192			
1	2	3	4	5	6	7	8	9	10	11	12				
A	P	S	G									/			
Stainless Steel Shaft Shaft 6, 10 or 12mm Standard ... 10mm								Voltage & Output Type 5 Volt - Line driver 1 8 - 30 Volt Push Pull M							
Housing Material IP66/67 Aluminium + Nitrile Seal J Aluminium + PTFE Seal K Aluminium + Food Seal L Aluminium + Viton Seal M 316 Stainless + Nitrile Seal S 316 Stainless + PTFE Seal T 316 Stainless + Food Seal U 316 Stainless + Viton Seal V 316 Stainless + EPDM Seal 6								Wiring Entry Rear or Axial R Side or Radial S				Output Options Standard A			
								Wiring Method Cable 2 Metres 2 Cable 5 Metres 3 Cable - Custom Length ... 4				Output Channels Standard Gray A Binary B BCD C			

Manufactured in UK by IED
 Sold and serviced in Australia by **PCA**