

# INHB Series

## Incremental Hollow Shaft Encoder

Maximum Increments ..... 3,600

Hole Diameter Range ..... 06, 08, 10mm

### MECHANICAL SPECIFICATIONS

Maximum RPM ..... 6000  
 Torque ..... >0.04Nm  
 Loading ..... Axial 20N, Radial 15N  
 Weight ..... 130g  
 Temperature ..... -20°C to +70°C

### FEATURES

The INHB industrial encoders are designed for mounting directly onto the drive shaft of motors and other rotary shafts. The hollow shaft system eliminates the necessity for most additional fixing hardware, such as flexible couplings, drive belts and mounting plates or brackets.

### ELECTRICAL

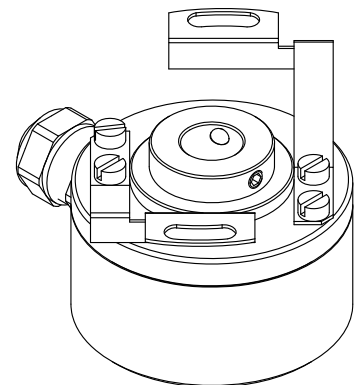
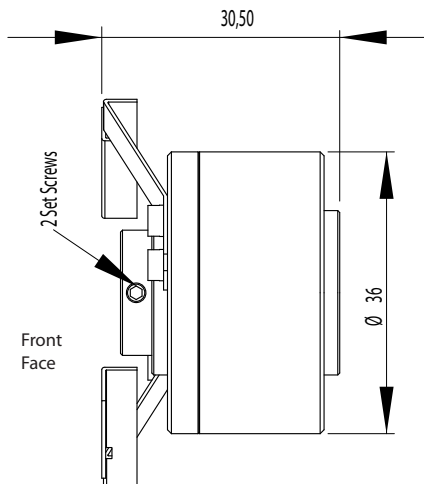
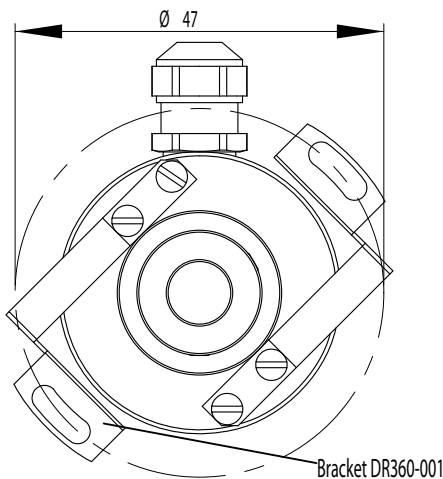
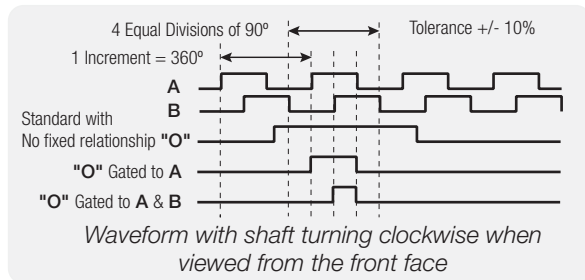
Current Consumption ..... 40mA  
 Maximum output signal frequency ..... 100kHz

To mount a hollow shaft encoder simply slide the encoder onto the drive shaft, tighten the set screws and attach a simple torsion arm to prevent the encoder body from rotating.

Function	Plug Pin	Wire
0 Volts	1	Black
+ Volts	2	Red
A	3	White
B	4	Blue
O	5	Yellow
A	6	Green
B	7	Violet
O	8	Brown

Wire	Plug Pin	Output Signals
White	1	0 Volts
Brown	2	+ Volts
Green	3	A
Yellow	4	B
Gray	5	O
Pink	6	A
Blue	7	B
Red	8	O

Alternate German Wiring for some encoders not made in Australia



## Part Number Selection Guide

Series				Mechanical Options				Electrical Options				Increment Range 00001 to 03600			
1	2	3	4	5	6	7	8	9	10	11	12				
I	N	H	B	-	-	H	S	-	-	A	-	/			
<b>Stainless Steel Shaft Hole</b> Hole ..... 06, 08, 10mm								<b>Voltage &amp; Output Type</b> 5 Volt Line Driver ..... 1 8 to 30 - Push Pull ..... M							
<b>Housing Material</b> IP65 Aluminium ..... H								<b>Output Options</b> Standard NO gating ..... A							
<b>Wiring Method</b> Cable 2 Metres ..... 2 Cable 5 Metres ..... 3 Cable - Custom Length .. 4								<b>Output Channels</b> A, B, O ..... 3 A, B, O, A, B, O ..... 7							
<b>Wiring Entry</b> Side or Radial ..... S															

A product of the world wide GESgroup made by W+S Germany Sold and serviced in Australia by PCA