

INHD Series

Incremental Hollow Shaft Encoder

Maximum Increments 3,600

Hole Diameter Range 6mm

MECHANICAL SPECIFICATIONS

Maximum RPM 6000
 Torque >0.4Nm
 Loading Axial 20N, Radial 15N
 Weight 130g
 Temperature -20°C to +70°C

ELECTRICAL

Current Consumption 40mA
 Maximum output signal frequency 100kHz

FEATURES

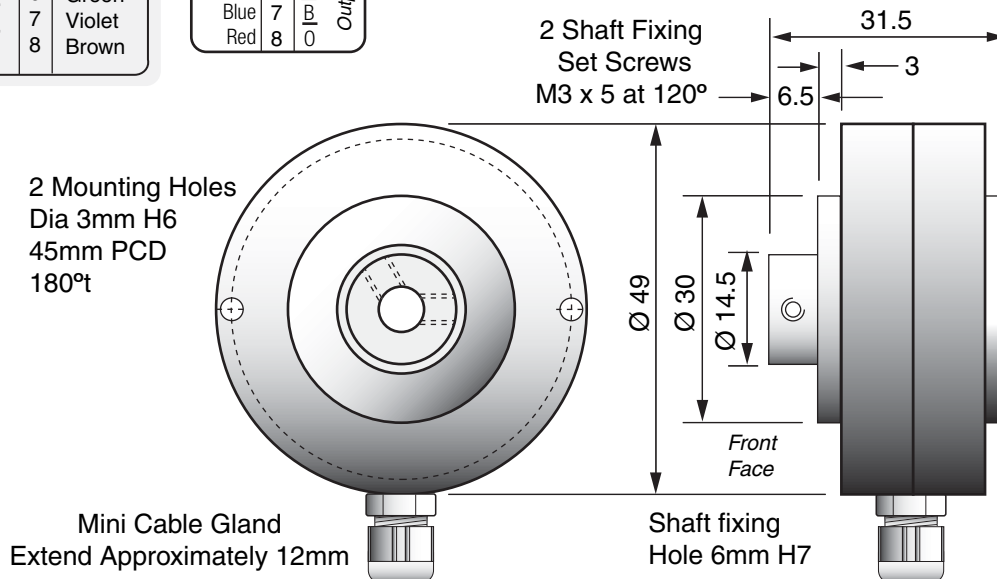
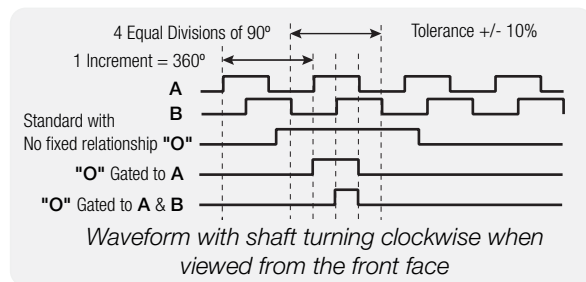
The INHD industrial encoders are designed for mounting directly onto the drive shaft of motors and other rotary shafts. The hollow shaft system eliminates the necessity for most additional fixing hardware, such as flexible couplings, drive belts and mounting plates or brackets.

To mount a hollow shaft encoder simply slide the encoder onto the drive shaft, tighten the set screws and attach a simple torsion arm to prevent the encoder body from rotating.

PCA AUS		
Function	Plug Pin	Wire
0 Volts	1	Black
+ Volts	2	Red
Output Signals	A	3 White
	B	4 Blue
	O	5 Yellow
	A	6 Green
	B	7 Violet
	O	8 Brown

W+S		
Wire	Plug Pin	Output Signals
White	1	0 Volts
Brown	2	+ Volts
Green	3	A
Yellow	4	B
Gray	5	O
Pink	6	A
Blue	7	B
Red	8	O

Alternate German Wiring for some encoders not made in Australia



Part Number Selection Guide

Series				Mechanical Options				Electrical Options				Increment Range				
1	2	3	4	5	6	7	8	9	10	11	12	00001 to 03600				
I	N	H	D	-	-	H	S	-	-	A	-	/	-	-	-	-
Stainless Steel Shaft Hole Hole 06mm								Voltage & Output Type 5 Volt Line Driver 1 8 to 30 - Push Pull M								
Housing Material IP65 Aluminium H								Output Options Standard NO gating..... A								
Wiring Method Cable 2 Metres 2 Cable 5 Metres 3 Cable - Custom Length .. 4								Output Channels A, B, O 3 A, B, O, A, B, O 7								
Wiring Entry Side or Radial S																

A product of the world wide GESgroup made by W+S Germany Sold and serviced in Australia by PCA