

INHMSeries

Incremental Hollow Shaft Encoder

Maximum Increments 25,000

Hole Diameter Range 12 to 30mm

MECHANICAL SPECIFICATIONS

RPM Max. 6000
 Torque > 4Ncm
 Loading Axial 50N, Radial 30N
 Weight Aluminium 570g - Stainless 1070g
 Temperature -20°C to +70°C

ELECTRICAL

Current consumption Max. 40mA
 Signal frequency 300kHz
 Switching load - Short circuit protected 40mA

FEATURES

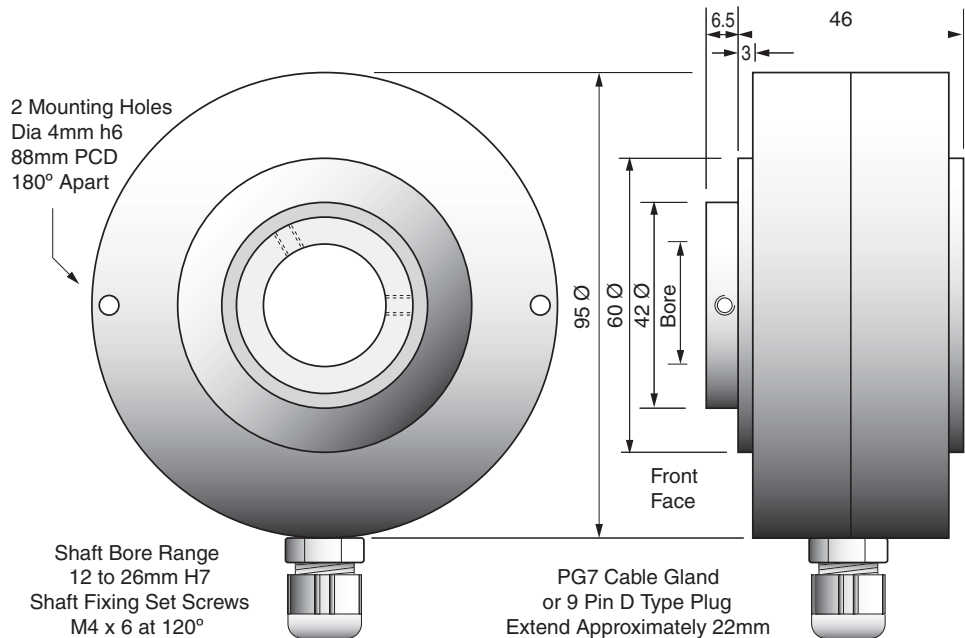
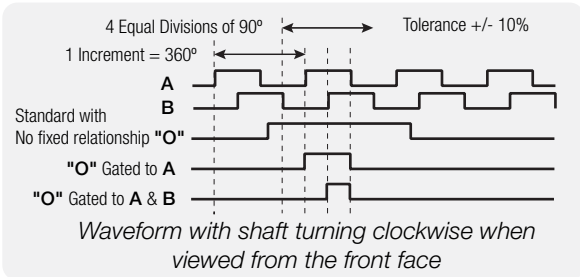
The INHM industrial encoders are designed for mounting directly onto the drive shaft of motors and other rotary shafts. The hollow shaft system eliminates the necessity for most additional fixing hardware, such as flexible couplings, drive belts and mounting plates or brackets.

To mount a hollow shaft encoder simply slide the encoder onto the drive shaft, tighten the set screws and attach a simple torsion arm to prevent the encoder body from rotating.

Function	Plug Pin	Wire
0 Volts	1	Black
+ Volts	2	Red
Output Signals	A	White
	B	Blue
	O	Yellow
	A	Green
	B	Violet
	O	Brown

Wire	Plug Pin	Output Signals
White	1	0 Volts
Brown	2	+ Volts
Green	3	A
Yellow	4	B
Gray	5	O
Pink	6	A
Blue	7	B
Red	8	O

Alternate German Wiring for some encoders not made in Australia



Part Number Selection Guide

Series				Mechanical Options				Electrical Options				Increment Range				
1	2	3	4	5	6	7	8	9	10	11	12	00001 to 25000				
I	N	H	M	□	□	□	□	□	□	□	□	/	□	□	□	□
Stainless Steel Shaft Hole Hole 12 to 30mm Standard .. 15, 18, 20, or 26								Voltage & Output Type 5 Volt Line Driver 1 8-30 Volt - Push Pull M								
Housing Material IP65 Aluminium H IP65 Stainless Steel R				Wiring Entry Side or Radial S				Output Options Standard NO gating..... A								
Wiring Method Cable 2 Metres 2 Cable 5 Metres 3 Cable - Custom Length .. 4 # Plug 9 Pin D Type H Plug 12 Pin Metal L				#IP54 Only				Output Channels A, B, O 3 A, B, O, A, B, O 7								
A product of the world wide GESgroup made by W+S Germany Sold and serviced in Australia by PCA																