

INHNSeries

Incremental Hollow Shaft Encoder

Maximum Increments 50,000

Hole Diameter Range 26 to 44mm

MECHANICAL SPECIFICATIONS

RPM Max. 5000
 Torque > 2Ncm
 Loading Axial 60N, Radial 80N
 Weight Stainless 1350g - Aluminium 720g
 Temperature -20°C to +70°C

ELECTRICAL

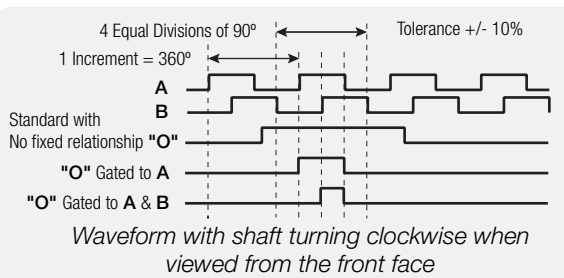
Current consumption Max. 40mA
 Signal frequency 300kHz
 Switching load - Short circuit protected 40mA

FEATURES

The INHN industrial encoders are designed for mounting directly onto the drive shaft of motors and other rotary shafts. The hollow shaft system eliminates the necessity for most additional fixing hardware, such as flexible couplings, drive belts and mounting plates or brackets.

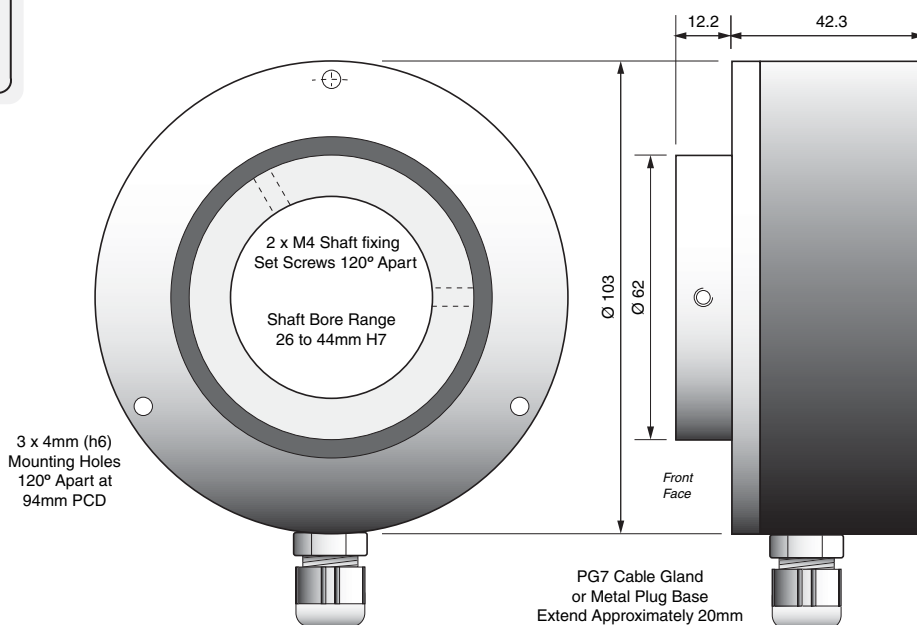
To mount a hollow shaft encoder simply slide the encoder onto the drive shaft, tighten the set screws and attach a simple torsion arm to prevent the encoder body from rotating.

PCA AUS		
Function	Plug Pin	Wire
0 Volts	1	Black
+ Volts	2	Red
Output Signals	3	White
A	4	Blue
B	5	Yellow
O	6	Green
A	7	Violet
B	8	Brown



W+S		
Wire	Plug Pin	Output Signals
White	1	0 Volts
Brown	2	+ Volts
Green	3	A
Yellow	4	B
Gray	5	O
Pink	6	A
Blue	7	B
Red	8	O

Alternate German Wiring for some encoders not made in Australia



Part Number Selection Guide

Series				Mechanical Options				Electrical Options				Increment Range			
1	2	3	4	5	6	7	8	9	10	11	12	00001 to 50000			
I	N	H	N				S								
Stainless Steel Shaft Hole Hole 26 to 44mm								Voltage & Output Type 5 Volt Line Driver 1 8-30 Volt - Push Pull M							
Housing Material IP65 Aluminium H IP65 Stainless Steel R				Wiring Entry Side or Radial S				Output Options Standard NO gating..... A							
Wiring Method Cable 2 Metres 2 Cable 5 Metres 3 Cable - Custom Length .. 4 # Plug 9 Pin D Type H Plug 12 Pin Metal L #IP54 Only								Output Channels A, B, O 3 A, B, O, A, B, O 7							
A product of the world wide GESgroup made by W+S Germany Sold and serviced in Australia by PCA															