

INSC Series

Incremental Shaft Encoder

Maximum Increments 10,000

Shaft Diameters 6 mm

MECHANICAL SPECIFICATIONS

Maximum RPM 6000
 Torque >0.04Nm
 Loading Axial 30N, Radial 20N
 Weight 140g
 Temperature -20°C to +70°C

FEATURES

The INSC encoders are a very small lightweight encoder, but their solid construction ensures they remain well suited for most industrial applications. The series provides up to 1,024 true A B phase increments per revolution.

ELECTRICAL

Current Consumption 40mA
 Maximum output signal frequency 100kHz

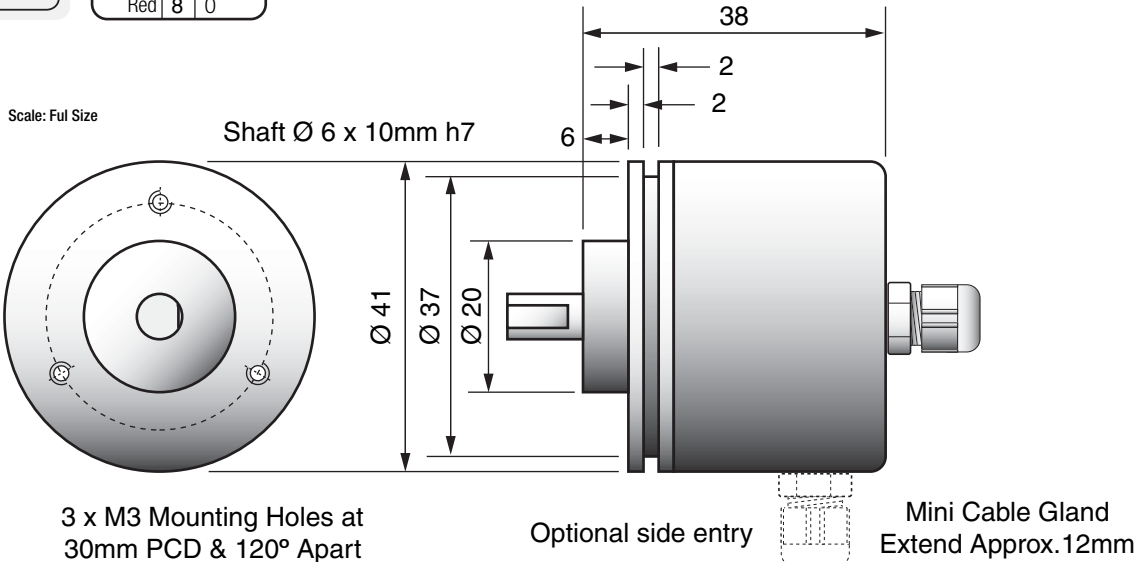
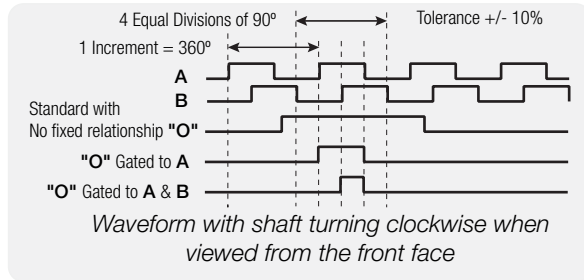
NOTE: Short circuit protection on all wires

There are two methods for attaching an encoder to a drive shaft. A flexible coupling must be used to turn the shaft when the encoder housing is rigidly mounted. Secondly the encoder may be fixed with a rigid coupling to the drive shaft and a flexible arm attached to the encoder mounting holes to prevent any radial movement.

PCA AUS		
Function	Plug Pin	Wire
0 Volts	1	Black
+ Volts	2	Red
A	3	White
B	4	Blue
O	5	Yellow
A	6	Green
B	7	Violet
O	8	Brown

W+S		
Wire	Plug Pin	Output Signals
White	1	0 Volts
Brown	2	+ Volts
Green	3	A
Yellow	4	B
Gray	5	O
Pink	6	A
Blue	7	B
Red	8	O

Alternate German Wiring for some encoders not made in Australia



Part Number Selection Guide

Series				Mechanical Options				Electrical Options				Increment Range				
1	2	3	4	5	6	7	8	9	10	11	12	00001 to 10,000				
I	N	S	C	0	6	H				A	L	/				
Stainless Shaft Shaft 6 mm								Voltage & Output Type 4.75 to 30 - Push Pull... L								
Housing Material IP65 Aluminum H								Output Options Standard NO gating..... A								
Wiring Method Cable 2 Meters 2 Cable 5 Meters 3 Cable - Custom Length .. 4								Output Channels A, B, O 3 A, B, O, A, B, O 7								
Wiring Entry Rear or Axial R Side or Radial S																

A product of the world wide GESgroup
 made by W+S Germany
 Sold and serviced in Australia by PCA