

INSF Series

Incremental Shaft Encoder

Maximum Increments 25,000

Shaft Diameters 6, 10 or 12mm

MECHANICAL SPECIFICATIONS

Maximum RPM 8000
 Torque >0.05Nm
 Loading Axial 40N, Radial 30N
 Weight 320g
 Temperature -20°C to +70°C

ELECTRICAL

Current Consumption 40mA
 Maximum output signal frequency 300kHz

NOTE: Short circuit protection on all wires

FEATURES

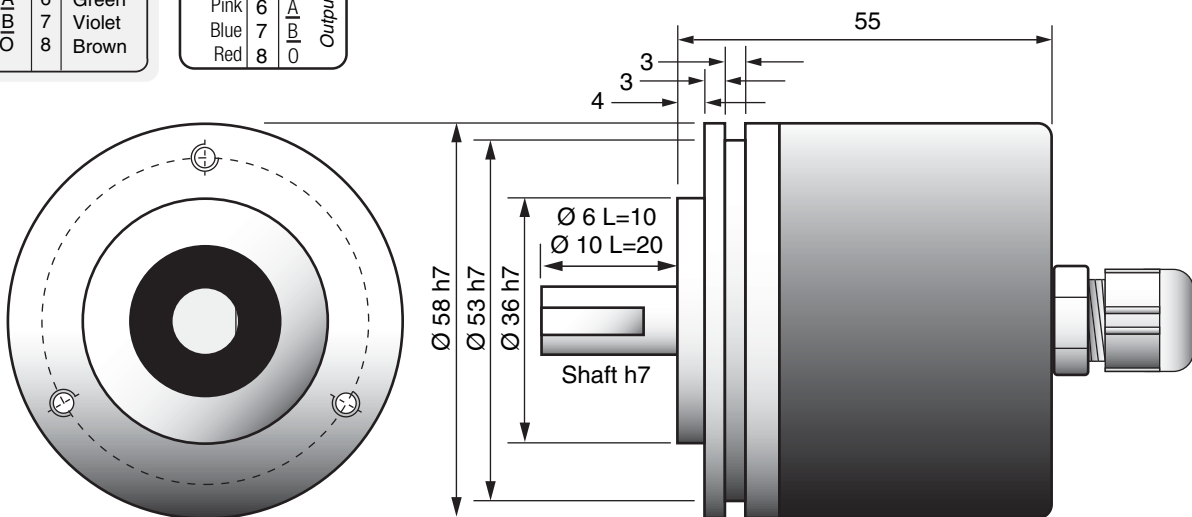
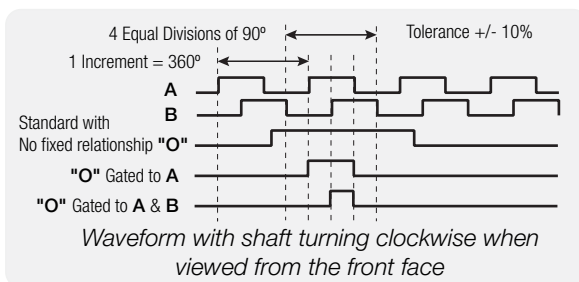
The INSF encoders are suitable for most industrial applications. This series provides a high increment option for a small body, up to 5,000 true A B phase signals are available. A range of flange adaptor plates are available to accommodate a wide range of mounting options.

A range of mounting accessories are also available, refer to the Accessories and Couplings data sheets for full details. **NOTE:** A flexible coupling must always be used to attach the encoder to the drive shaft.

PCA AUS		Plug Pin	Wire
Function			
0 Volts	1	Black	
+ Volts	2	Red	
A	3	White	
B	4	Blue	
O	5	Yellow	
A	6	Green	
B	7	Violet	
O	8	Brown	

W+S		Plug Pin	Wire
Wire			
White	1	0 Volts	
Brown	2	+ Volts	
Green	3	A	
Yellow	4	B	
Gray	5	O	
Pink	6	A	
Blue	7	B	
Red	8	O	

Alternate German Wiring for some encoders not made in Australia

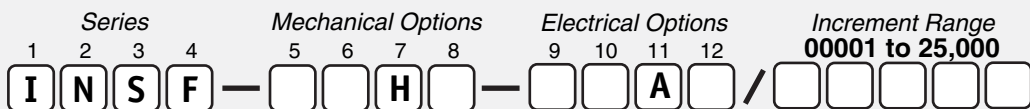


3 x M4 Mounting Holes at 48mm PCD & 120° Apart

Optional side entry

PG7 Cable Gland and Metal Plug Extend Approx. 22mm

Part Number Selection Guide



Stainless Shaft
 Shaft 06, 10 or 12mm

Housing Material
 IP65 Aluminium H

Wiring Method
 Cable 2 Meters 2
 Cable 5 Meters 3
 Cable - Custom Length .. 4
 Plug 4 Pin Plastic A
 Plug 12 Pin Metal L

Wiring Entry
 Rear or Axial R
 Side or Radial S

Voltage & Output Type
 5 Volt Line Driver 1
 8 to 30 - Push Pull M

Output Options
 Standard NO gating..... A

Output Channels
 A, B (4 Pin Plug only) 2
 A, B, O 3
 A, B, O, A, B, O 7

A product of the world wide **GES**group
 made by W+S Germany
 ASSEMBLED and serviced in Australia by **PCA**