

# IPSE Series

## Incremental Shaft Encoder IP66/67

Maximum Increments ..... 30,000

Shaft Diameter Range ..... 6, 10 or 12mm

### MECHANICAL SPECIFICATIONS

RPM ..... Max. 3000  
 Torque ..... > 3Ncm  
 Loading ..... Axial 10N, Radial 10N  
 Weight ..... Aluminium 300g Stainless 600g  
 Temperature ..... -20°C to +85°C

### ELECTRICAL

Current consumption ..... Max. 60mA  
 Signal frequency ..... 200kHz  
 Switching load ..... 40mA

### FEATURES

The IPSE heavy duty industrial encoder is designed for mounting in harsh environments. This grade of encoder has been installed in numerous aggressive locations, from the decks of sea going ships to dairy machinery that receives daily washings of pressurised water and detergents.

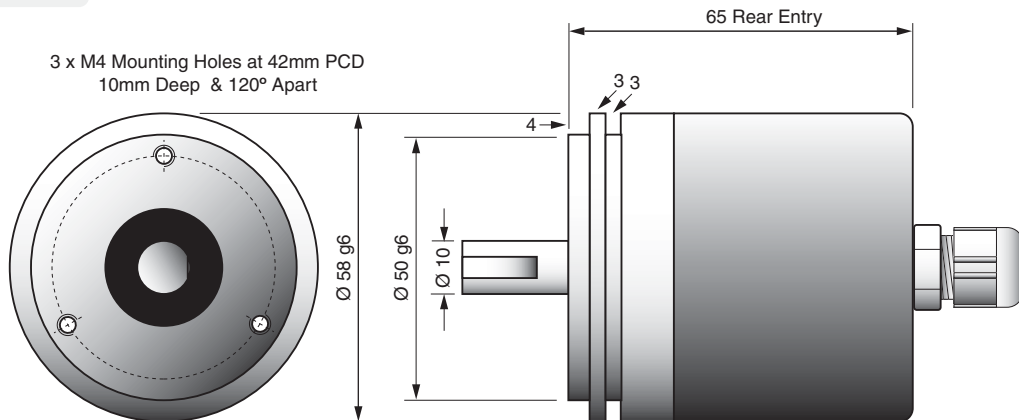
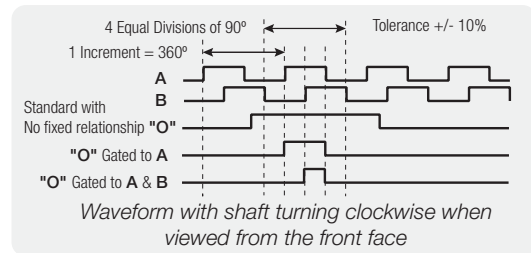
These encoders are machined from either aluminium or stainless steel, both with a range of double lip shaft seals filled with grease to suit most environments.

#### Shaft Sealing Options

**Nitrile** = General Industrial Use  
**PTFE** = High Speed Low Torque  
**EPDM** = Thurban material for outdoor use - resistant to UV and ozone damage  
**Food** = Approved in USA & UK use with food  
**Viton Peroxide** = Chemical & Acid resistant

PCA AUS		Plug Pin	Wire
Function			
0 Volts	1		Black
+ Volts	2		Red
A	3		White
B	4		Blue
O	5		Yellow
A	6		Green
B	7		Violet
O	8		Brown

NOTE: Refer to COUPLING data sheet for our range of Stainless Steel zero backlash shaft couplings



Shaft Alternatives - Tolerance g6  
 12mm Dia. 20mm Long - Keyway 4x2x18mm long  
 10mm Dia. 20mm Long - One flat side  
 6mm Dia. 10mm Long - One flat side

PG11 Cable Gland  
 Extend Approx. 22mm

### Part Number Selection Guide

Series				Mechanical Options				Electrical Options				Increment Range			
1	2	3	4	5	6	7	8	9	10	11	12	00001 to 30,000			
I	P	S	E									/			
<b>Stainless Steel Shaft</b> Shaft ..... 6, 10 or 12mm Standard ... 10mm								<b>Voltage &amp; Output Type</b> 5 Volt - Line driver ..... 1 8 - 30 Volt Push Pull ..... M							
<b>Housing Material IP66/67</b> Aluminium + Nitrile Seal ..... J Aluminium + PTFE Seal ..... K Aluminium + Food Seal ..... L Aluminium + Viton Seal ..... M 316 Stainless + Nitrile Seal ..... S 316 Stainless + PTFE Seal ..... T 316 Stainless + Food Seal ..... U 316 Stainless + Viton Seal ..... V 316 Stainless + EPDM Seal ..... 6								<b>Wiring Entry</b> Rear or Axial ..... R Side or Radial ..... S				<b>Output Options</b> Standard NO gating..... A			
<b>Wiring Method</b> Cable 2 Metres ..... 2 Cable 5 Metres ..... 3 Cable - Custom Length ... 4								<b>Output Channels</b> A, B, O ..... 3 A, B, O, A̅, B̅, O̅ ..... 7							

Manufactured in UK by IED  
 Sold and serviced in Australia by **PCA**