

LTM Potentiometric Linear Transducers



- Stroke up to 1000 mm
- Infinite Resolution
- Very long life;
up to 100 million movements
- Protection Class IP 65
- High operating speed 5 m/s
- High independent linearity 0,2 %
- The grooves provide an excellent alternative to the usual system of fastening with brackets

LTM is a high precision potentiometric industrial linear motion transducer with a long lasting conductive track suitable for absolute position measuring in control and Measurement applications. Designed for the direct, absolute measurement of displacement or length in control regulation and measuring applications. High resolution (0.01 mm) combined with a stroke length of up to 1000 mm permits the accurate measurement of linear displacement. Rack and pinions or similar devices are not required because the design of the transducers is such that they may be built directly into the mechanical system.

Applications: LTM Series can be used in a wide range of applications in mechanical and vehicle engineering industries as well as in automation and robotics technologies, combining remarkable robustness with high accuracy.

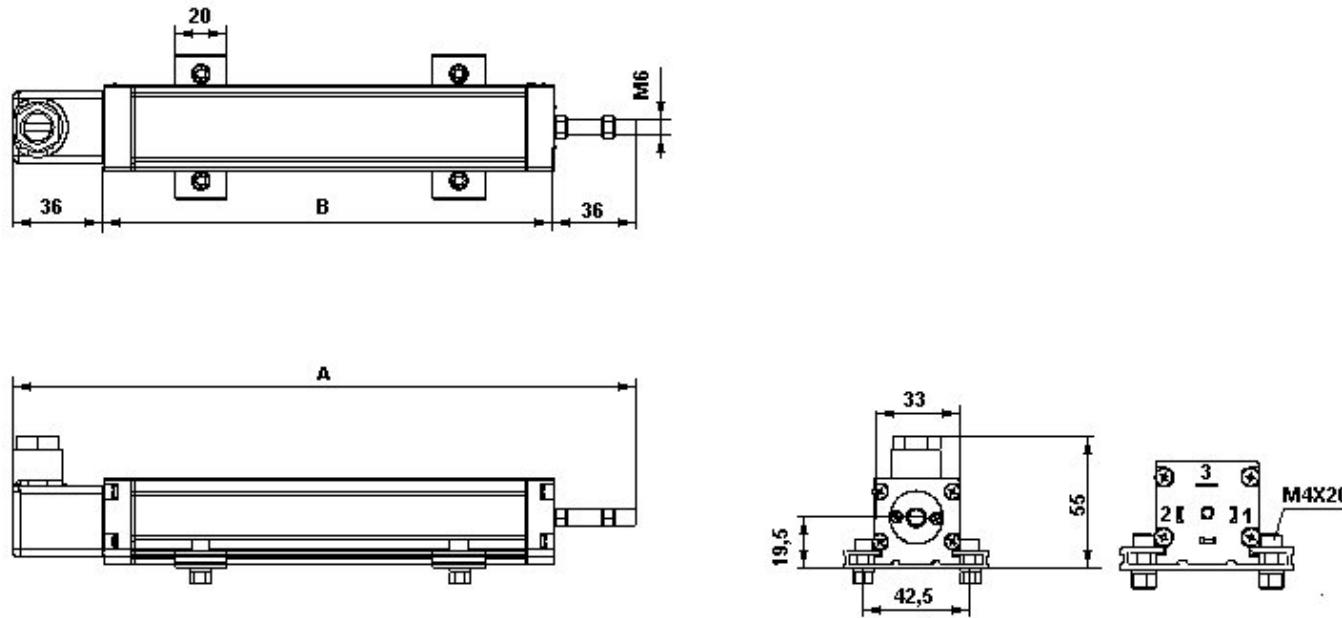
LTM Series Potentiometric Linear Transducers are mainly used in :

- Press Brake Machines
- Horizontal Band Saw Machines
- Transfer Machines
- Hydraulic Machines
- Sheet metal working machines
- Bending presses
- Plastic & Metal Injection Machines
- Textile Machines
- Robotics/materials handling
- Profile Cutting Machines
- CNC Pipe Twisting Machines
- Plastic Extrusion Machines

Mechanical Data	
Repeatability %	<0.01
Temperature range	-30...+100 ° C
Operating speed	5 m/s max.
Mechanical Life	100 million movements
Protection class	IP 55
Vibration	10 g
Shock	40 g

Electrical Specifications	
Maximum input voltage	42 V
Linearity	%0,2
Maximum current	1 mA
Recommended wiper current	<1 µA
Resistance	5 or 10 K Ohm
Repeatability %	<0.01
Resolution	0,01mm
Load Resistance	≥1 MOhm

MECHANICAL DIMENSIONS :



TYPE	LTM 50	LTM 75	LTM 100	LTM 125	LTM 150	LTM 175	LTM 200	LTM 225	LTM 250	LTM 275	LTM 300	LTM 360	LTM 400	LTM 450	LTM 500	LTM 550	LTM 600	LTM 650	LTM 700	LTM 750	LTM 800	LTM 900	LTM 1000
STROKE	50	75	100	125	150	175	200	225	250	275	300	360	400	450	500	550	600	650	700	750	800	900	1000
MECHANICAL STROKE	54	79	104	129	154	179	204	229	254	279	304	364	404	454	504	554	604	654	704	754	804	904	1004
ELECTRICAL STROKE	50	75	100	125	150	175	200	225	250	275	300	360	400	450	500	550	600	650	700	750	800	900	1000
MECHANICAL DIMENSIONS																							
TOTAL LENGTH (A)	193	218	243	268	293	318	343	368	393	418	443	493	543	593	643	693	743	793	843	893	943	1043	1093
BODY LENGTH (B)	121	146	171	196	221	246	271	296	321	346	371	421	471	521	571	621	671	721	771	821	871	971	1021

ATEK SENSOR TECHNOLOGY AG