



- Stroke up to 750 mm
- Infinite Resolution
- Very long life;
up to 100 million movements
- Protection Class IP 65
- High operating speed 5 m/s
- High independent linearity 0,1 %
- Max. angular movement up to $\pm 30^\circ$
- Mechanical fixing and self-aligning linkage using 2 ball-joints

LTP is a high precision potentiometric industrial linear motion transducer with a long lasting conductive track suitable for absolute position measuring in control and Measurement applications. Typical applications include Injection moulding machines, Printing presses, Textile, Transfer and Hydraulic Machines.

Accurate measurement with a resistance element made of conductive plastic, on a glassfibre reinforced substrate.

The wiper system is mounted on the actuating rod and is coupled free of backlash; this guaranteeing the highest accuracy and the longest lifetime.

Applications: LTP Series can be used in a wide range of applications in mechanical and vehicle engineering industries as well as in automation and robotics technologies, combining remarkable robustness with high accuracy. LTP Series Potentiometric Linear Transducers are mainly used in ;

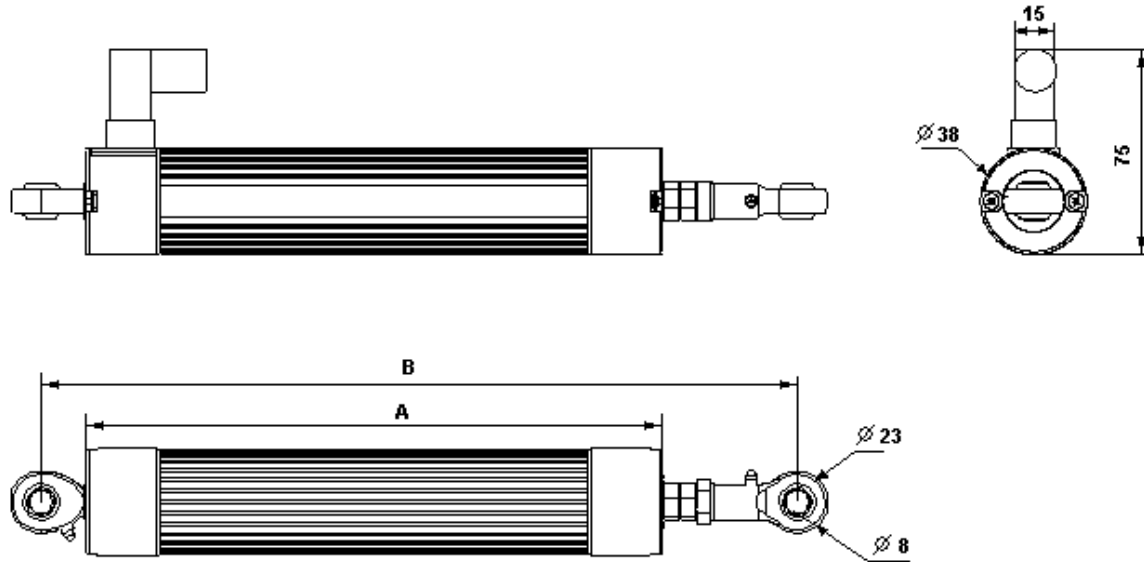
LTP Series Potentiometric Linear Transducers are mainly used in :

- Press Brake Machines
- Horizontal Band Saw Machines
- Transfer Machines
- Hydraulic Machines
- Sheet metal working machines
- Bending presses
- Plastic & Metal Injection Machines
- Textile Machines
- Robotics/materials handling
- Profile Cutting Machines
- CNC Pipe Twisting Machines
- Plastic Extrusion Machines

Mechanical Specifications	
Rod Material	Stainless Steel
Temperature range	-30...+100 ° C
Operating speed	5 m/s max.
Life	100 million movements
Protection class	IP 65
Resistance element	Conductive plastic
Mechanical fixing	2 ball-joints
Vibration	10 g
Shock	40 g

Electrical Specifications	
Maximum input voltage	42 V
Linearity	%0,2
Maximum current	1 mA
Recommended wiper current	<1 μ A
Resistance	5 or 10 K Ohm
Repeatability %	<0.01
Resolution	0,01mm
Load Resistance	≥ 1 MOhm

MECHANICAL DIMENSIONS :



- ACCESSORIES**
- Connector
- Optional Accessories
Process-controlled indicators with display
- ALP44 , ALP77 and ALP94 UNI

TYPE	LTP 50	LTP 75	LTP 100	LTP 125	LTP 150	LTP 175	LTP 200	LTP 225	LTP 250	LTP 275	LTP 300	LTP 360	LTP 400	LTP 450	LTP 500	LTP 550	LTP 600	LTP 650	LTP 700
STROKE	50	75	100	125	150	175	200	225	250	275	300	360	400	450	500	550	600	650	700
RESISTANCE	5K	5K	5K	5K	5K	5K	5K	5K	5K	5K	5K	5K	5K	5K	5K	5K	5K	10K	10K
MECHANICAL STROKE	54	79	104	129	154	179	204	229	254	279	304	364	404	454	504	554	604	654	704
ELECTRICAL STROKE	50	75	100	125	150	175	200	225	250	275	300	360	400	450	500	550	600	650	700
MECHANICAL DIMENSIONS																			
TOTAL LENGTH (B)	193	218	243	268	293	318	343	368	393	418	443	493	543	593	643	693	743	793	843
BODY LENGTH (A)	121	146	171	196	221	246	271	296	321	346	371	421	471	521	571	621	671	721	771

ATEK SENSOR TECHNOLOGY AG