

# INHP Series

## Incremental Hollow Shaft Encoder

Maximum Increments ..... 50,000

Hole Diameter Range ..... 45 to 65mm

### MECHANICAL SPECIFICATIONS

RPM ..... Max. 5000  
 Torque ..... > 2Ncm  
 Loading ..... Axial 60N, Radial 80N  
 Weight ..... Aluminium 720g  
 Temperature ..... -20°C to +70°C

### FEATURES

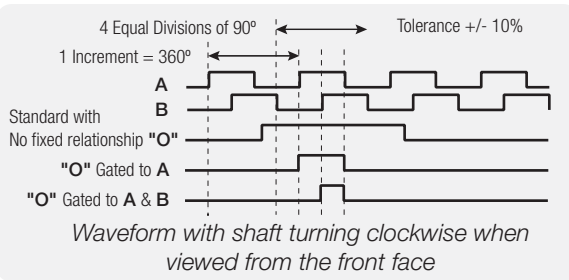
The INHP industrial encoders are designed for mounting directly onto the drive shaft of motors and other rotary shafts. The hollow shaft system eliminates the necessity for most additional fixing hardware, such as flexible couplings, drive belts and mounting plates or brackets.

To mount a hollow shaft encoder simply slide the encoder onto the drive shaft, tighten the set screws and attach a simple torsion arm to prevent the encoder body from rotating.

### ELECTRICAL

Current consumption ..... Max. 40mA  
 Signal frequency ..... 300kHz  
 Switching load - Short circuit protected ..... 40mA

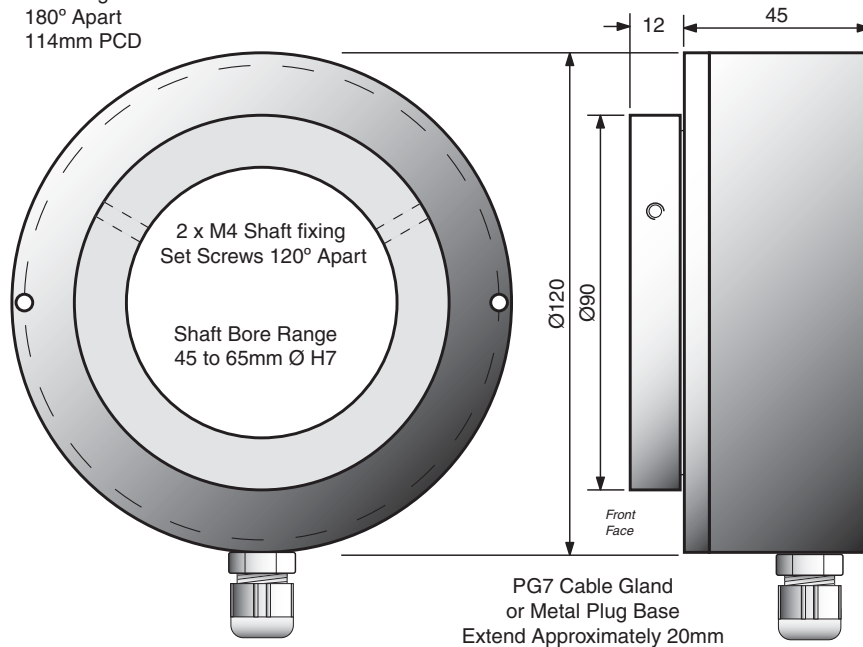
PCA AUS		
Function	Plug Pin	Wire
0 Volts	1	Black
+ Volts	2	Red
Output Signals	A	3 White
	B	4 Blue
	O	5 Yellow
	A	6 Green
	B	7 Violet
	O	8 Brown



2 x 4mm Ø (h6)  
 Mounting Holes  
 180° Apart  
 114mm PCD

W+S		
Wire	Plug Pin	Output Signals
White	1	0 Volts
Brown	2	+ Volts
Green	3	A
Yellow	4	B
Gray	5	O
Pink	6	A
Blue	7	B
Red	8	O

Alternate German Wiring for some encoders not made in Australia



### Part Number Selection Guide

Series	Mechanical Options	Electrical Options	Increment Range
1 2 3 4	5 6 7 8	9 10 11 12	00001 to 50000
I N H P	G S	/	
<b>Aluminium Shaft Hole</b> Hole ..... 45 to 65mm	<b>Housing Material</b> IP54 Aluminium ..... G	<b>Wiring Entry</b> Side or Radial ..... S	<b>Voltage &amp; Output Type</b> 5 Volt Line Driver ..... 1 8-30 Volt - Push Pull ..... M
<b>Wiring Method</b> Cable 2 Metres ..... 2 Cable 5 Metres ..... 3 Cable - Custom Length .. 4 # Plug 9 Pin D Type ..... H Plug 12 Pin Metal ..... L #IP54 Only			<b>Output Options</b> Standard NO gating..... A
			<b>Output Channels</b> A, B, O ..... 3 A, B, O, A, B, O ..... 7

A product of the world wide GESgroup made by W+S Germany  
 Sold and serviced in Australia by PCA