

INSE Series

Incremental Shaft Encoder

Maximum Increments 25,000

Shaft Diameters 6, 10 or 12mm

MECHANICAL SPECIFICATIONS

Maximum RPM 6000
 Torque >0.05Nm
 Loading Axial 40N, Radial 30Nm
 Weight 320g
 Temperature -20°C to +70°C

ELECTRICAL

Current Consumption 40mA
 Maximum output signal frequency 300kHz

NOTE: Short circuit protection on all wires

FEATURES

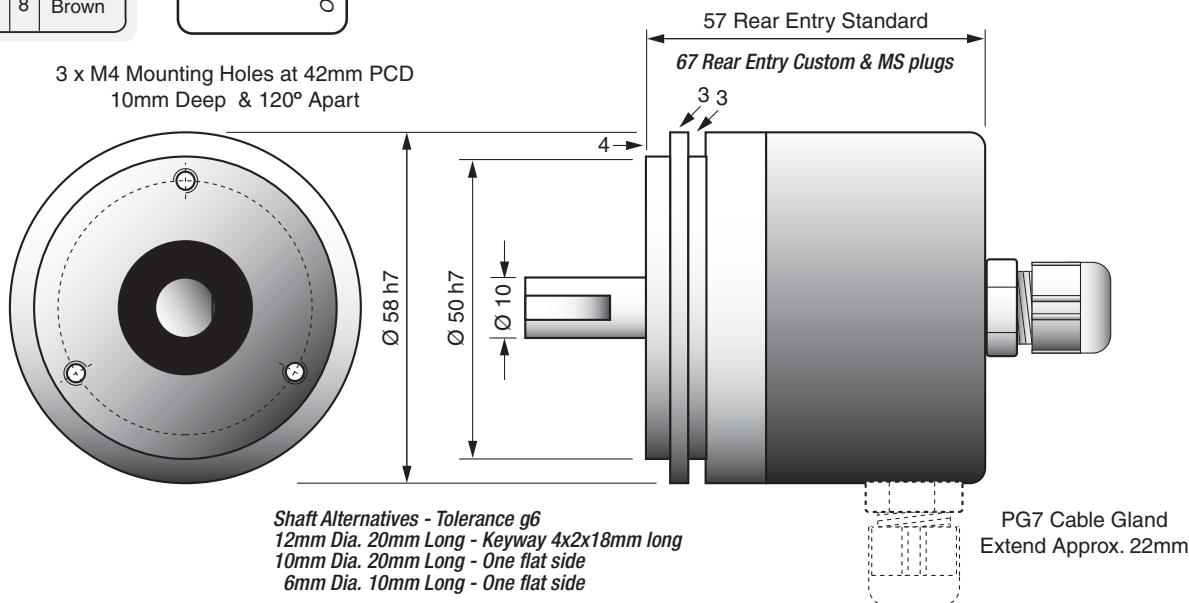
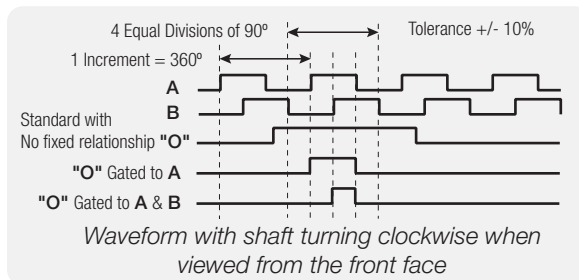
The INSE encoders are suitable for most industrial applications. This series can be built with up to 25,000 A B phase signals. When used with appropriate circuitry, 25,000 can deliver 100,000 processed signals per revolution.

A range of mounting accessories are also available, refer to the Accessories and Couplings data sheets for full details. **NOTE:** A flexible coupling must always be used to attach the encoder to the drive shaft.

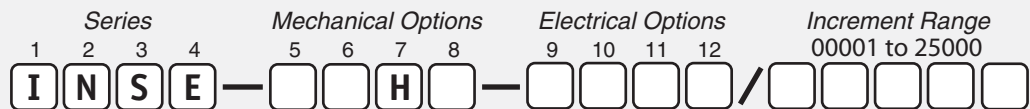
Function	Plug Pin	Wire
0 Volts	1	Black
+ Volts	2	Red
A	3	White
B	4	Blue
"O"	5	Yellow
A	6	Green
B	7	Violet
"O"	8	Brown

Wire	Function
Black	0 Volts
Brown	+ Volts
Green	A
Grey	B

Special Wiring for Build No.A020
 made in Australia
 Housing length 66mm
 Cable gland PG11
 22mm long
 Steel armoured cable



Part Number Selection Guide



Stainless Shaft
 Metric 06 10 or 12mm
 Imperial 1/4" AA
 Imperial 3/8" AB

Housing Material
 IP65 Aluminium H

Wiring Method
 Cable 2 Meters 2
 Cable 5 Meters 3
 Cable - Custom Length .. 4
 Plug 4 Pin Plastic A
 Plug 12 Pin Metal L

Wiring Entry
 Rear or Axial R
 Side or Radial S

Voltage & Output Type
 5 Volt Line Driver 1
 8 to 30 - Push Pull M
 5 Volt Line Driver 100° ... N
 8 to 30 Push Pull 100° ... Q

Output Options
 Standard NO gating..... A
 "O" Gated with A B
 "O" Gated with B C
 "O" Gated with A & B D

Output Channels
 A, B, O 3
 A, B, O, A, B, O 7

A product of the world wide **GESgroup**
 made by W+S Germany
 ASSEMBLED and serviced in Australia by **PCA**