

INSG Series

Incremental Shaft Encoder

Maximum Increments 25,000

Shaft Diameters 6, 10 or 12mm

MECHANICAL SPECIFICATIONS

Maximum RPM 8000
 Torque >0.05Nm
 Loading Axial 40N, Radial 30N
 Weight 320g
 Temperature -20°C to +70°C

ELECTRICAL

Current Consumption 40mA
 Maximum output signal frequency 300kHz

NOTE: Short circuit protection on all wires

FEATURES

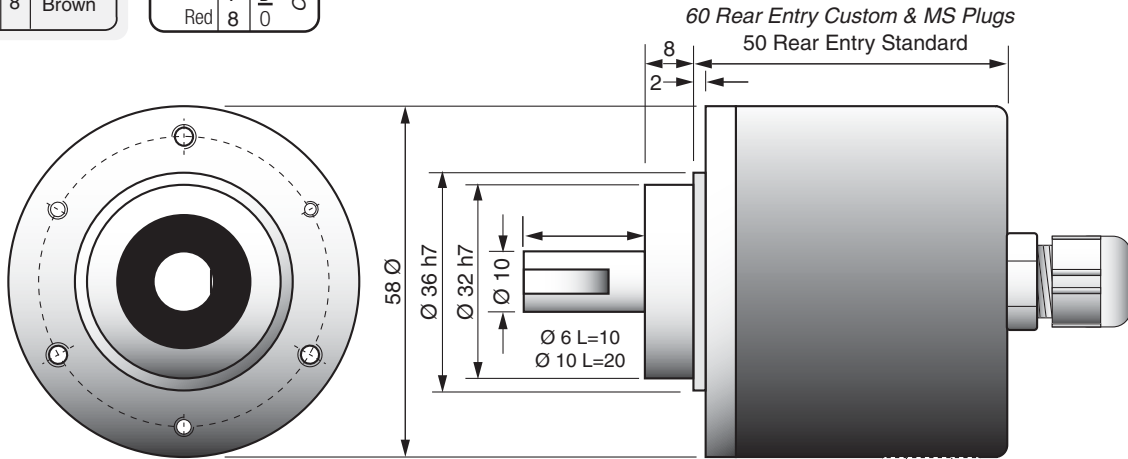
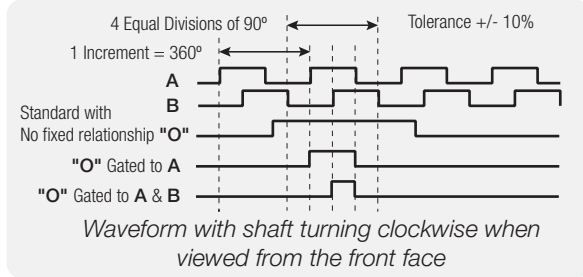
The INSG encoders are suitable for most industrial applications. This series can be built with up to 25,000 A B phase signals. When used with appropriate circuitry, 25,000 can deliver 100,000 processed signals per revolution.

A range of mounting accessories are also available, refer to the Accessories and Couplings data sheets for full details. **NOTE:** A flexible coupling must always be used to attach the encoder to the drive shaft.

| PCA AUS | | Plug Pin | Wire |
|---------|---|----------|------|
| 0 Volts | 1 | Black | |
| + Volts | 2 | Red | |
| A | 3 | White | |
| B | 4 | Blue | |
| O | 5 | Yellow | |
| A | 6 | Green | |
| B | 7 | Violet | |
| O | 8 | Brown | |

| W+S | | Plug Pin | Wire |
|---------|---|----------|------|
| 0 Volts | 1 | White | |
| + Volts | 2 | Brown | |
| A | 3 | Green | |
| B | 4 | Yellow | |
| O | 5 | Gray | |
| A | 6 | Pink | |
| B | 7 | Blue | |
| O | 8 | Red | |

Alternate German Wiring for some encoders not made in Australia

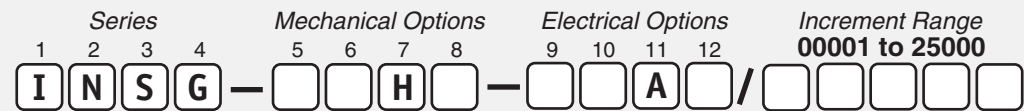


Two sets of 3 Mounting Holes at 48mm PCD & 120° Apart one set M4 and the other M3

Shaft Alternatives - Tolerance g6
 12mm Dia. 20mm Long - Keyway 4x2x18mm long
 10mm Dia. 20mm Long - One flat side
 6mm Dia. 10mm Long - One flat side

Optional side entry
 PG7 Cable Gland and Metal Plug
 Extend Approx. 22mm

Part Number Selection Guide



Stainless Shaft
 Metric 06 10 or 12mm
 Imperial 1/4" AA
 Imperial 3/8" AB

Housing Material
 IP65 Aluminium H

Wiring Entry
 Rear or Axial R
 Side or Radial S

Wiring Method
 Cable 2 Meters 2
 Cable 5 Meters 3
 Cable - Custom Length .. 4
 Plug 4 Pin Plastic A
 Plug 12 Pin Metal L

Voltage & Output Type
 5 Volt Line Driver 1
 8 to 30 - Push Pull M

Output Options
 Standard NO gating..... A

Output Channels
 A, B (4 Pin Plug only) 2
 A, B, O 3
 A, B, O, A, B, O 7

A product of the world wide **GESgroup**
 made by W+S Germany
 ASSEMBLED and serviced in Australia by **PCA**