

IPSL Series

Incremental Shaft Encoder IP66/67

Maximum Increments 30,000

Shaft Diameter Range 12mm

MECHANICAL SPECIFICATIONS

RPM Max. 3000
 Torque > 3Ncm
 Loading Axial 10N, Radial 10N
 Weight Aluminium 1000g Stainless 2700g
 Temperature -20°C to +85°C

ELECTRICAL

Current consumption Max. 60mA
 Signal frequency 200kHz
 Switching load 40mA

FEATURES

The IPSL heavy duty industrial encoder is designed for mounting in harsh environments. This grade of encoder has been installed in numerous aggressive locations, from the decks of sea going ships to dairy machinery that receives daily washings of pressurised water and detergents.

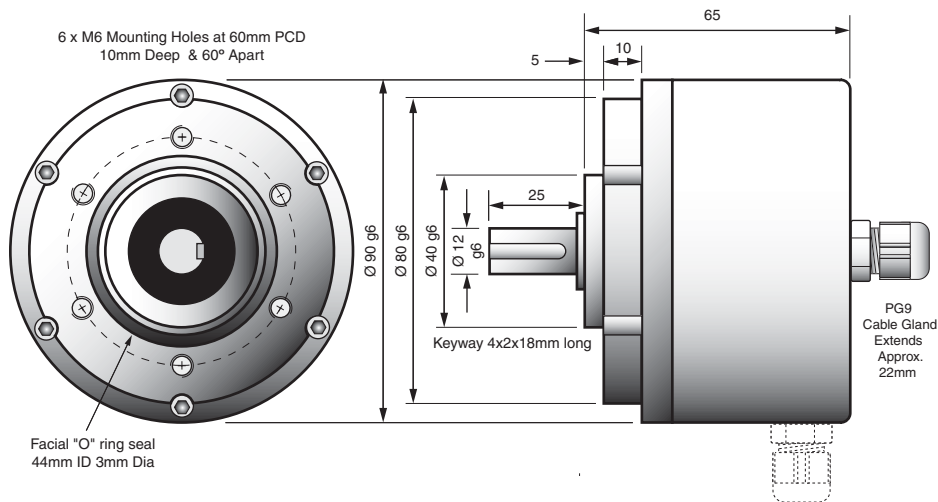
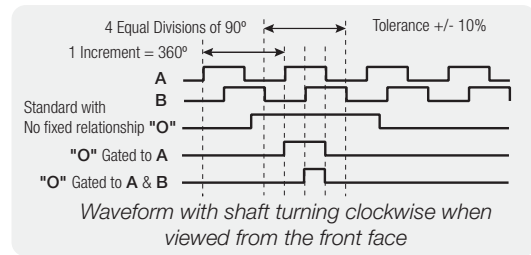
These encoders are machined from either aluminium or stainless steel, both with a range of double lip shaft seals filled with grease to suit most environments.

Shaft Sealing Options

Nitrile = General Industrial Use
PTFE = High Speed Low Torque
EPDM = Thurban material for outdoor use - resistant to UV and ozone damage
Food = Approved in USA & UK use with food
Viton Peroxide = Chemical & Acid resistant

Function	Plug Pin	Wire
0 Volts	1	Black
+ Volts	2	Red
A	3	White
B	4	Blue
O	5	Yellow
A	6	Green
B	7	Violet
O	8	Brown

NOTE: Refer to COUPLING data sheet for our range of Stainless Steel zero backlash shaft couplings



Part Number Selection Guide

Series				Mechanical Options				Electrical Options				Increment Range			
1	2	3	4	5	6	7	8	9	10	11	12	00001 to 30,000			
I	P	S	L	1	2										
Stainless Steel Shaft								Voltage & Output Type							
Shaft 12mm								5 Volt - Line driver 1							
Housing Material IP66/67								Output Options							
Aluminium + Nitrile Seal J								Standard NO gating..... A							
Aluminium + PTFE Seal K								Output Channels							
Aluminium + Food Seal L								A, B, O 3							
Aluminium + Viton Seal M								A, B, O, A̅, B̅, O̅ 7							
316 Stainless + Nitrile Seal S								Wiring Method							
316 Stainless + PTFE Seal T								Cable 2 Metres 2							
316 Stainless + Food Seal U								Cable 5 Metres 3							
316 Stainless + Viton Seal V								Cable - Custom Length ... 4							
316 Stainless + EPDM Seal 6								Manufactured in UK by IED							
								Sold and serviced in Australia by PCA							