

IPSW Series

Incremental Shaft Encoder IP66/67

Maximum Increments 30,000

Shaft Diameter Range 6 10 or 12mm

MECHANICAL SPECIFICATIONS

RPM Max. 3000
 Torque > 3Ncm
 Loading Axial 10N, Radial 10N
 Weight Aluminium 460g Stainless 1080g
 Temperature -20°C to +85°C

ELECTRICAL

Current consumption Max. 60mA
 Signal frequency 200kHz
 Switching load 40mA

FEATURES

The IPSW heavy duty industrial encoder is designed for mounting in harsh environments. This grade of encoder has been installed in numerous aggressive locations, from the decks of sea going ships to dairy machinery that receives daily washings of pressurised water and detergents.

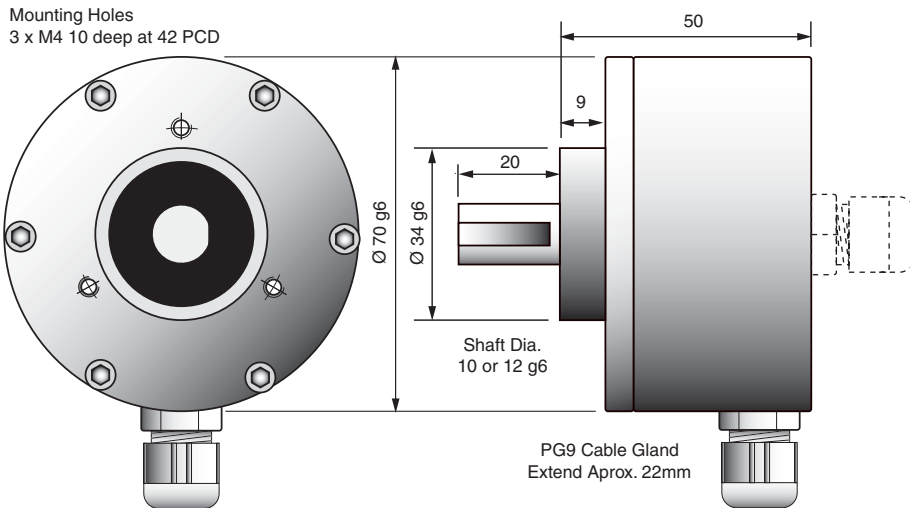
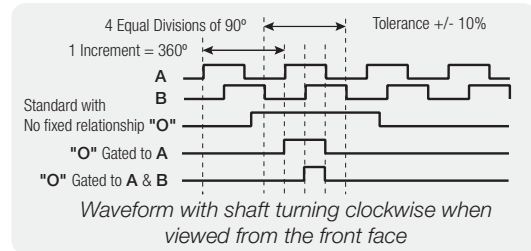
These encoders are machined from either aluminium or stainless steel, both with a range of double lip shaft seals filled with grease to suit most environments.

Shaft Sealing Options

Nitrile = General Industrial Use
PTFE = High Speed Low Torque
EPDM = Thurban material for outdoor use - resistant to UV and ozone damage
Food = Approved in USA & UK use with food
Viton Peroxide = Chemical & Acid resistant

PCA AUS	Function	Plug Pin	Wire
0	Volts	1	Black
+	Volts	2	Red
A	Output Signals	3	White
B	Output Signals	4	Blue
O	Output Signals	5	Yellow
A	Output Signals	6	Green
B	Output Signals	7	Violet
O	Output Signals	8	Brown

NOTE: Refer to COUPLING data sheet for our range of Stainless Steel zero backlash shaft couplings



Part Number Selection Guide

Series				Mechanical Options				Electrical Options				Increment Range			
1	2	3	4	5	6	7	8	9	10	11	12	00001 to 30,000			
I	P	S	W												
Stainless Steel Shaft Shaft 6, 10 or 12mm Standard ... 12mm								Voltage & Output Type 5 Volt - Line driver 1 8 - 30 Volt Push Pull M							
Housing Material IP66/67 Aluminium + Nitrile Seal J Aluminium + PTFE Seal K Aluminium + Food Seal L Aluminium + Viton Seal M 316 Stainless + Nitrile Seal S 316 Stainless + PTFE Seal T 316 Stainless + Food Seal U 316 Stainless + Viton Seal V 316 Stainless + EPDM Seal 6								Wiring Entry Rear or Axial R Side or Radial S				Output Options Standard NO gating..... A			
								Wiring Method Cable 2 Metres 2 Cable 5 Metres 3 Cable - Custom Length ... 4				Output Channels A, B, O 3 A, B, O, A-bar, B-bar, O-bar 7			

Manufactured in UK by IED
 Sold and serviced in Australia by **PCA**