



10043021- Stator Coupling 1Y80-150



Product Description

General Data

Name	10043021- Stator Coupling 1Y80-150
Intro	POSITAL provides torque support sets comprising of tethers, mounting screws, spacers or washers. These are generally used to anchor the hollow shaft encoder to the customers' system and prevent it from rotating along with the driving shaft
Flange Type	Blind Hollow, \varnothing 58mm
Flange Diameter	58 mm
Material	Stainless Steel
Compatible Flange Options	-BxYx-, -Hxxx-, -Xxxx-
Bolt Circle Diameter	\varnothing 80-150 mm (\varnothing 3.15-5.91")

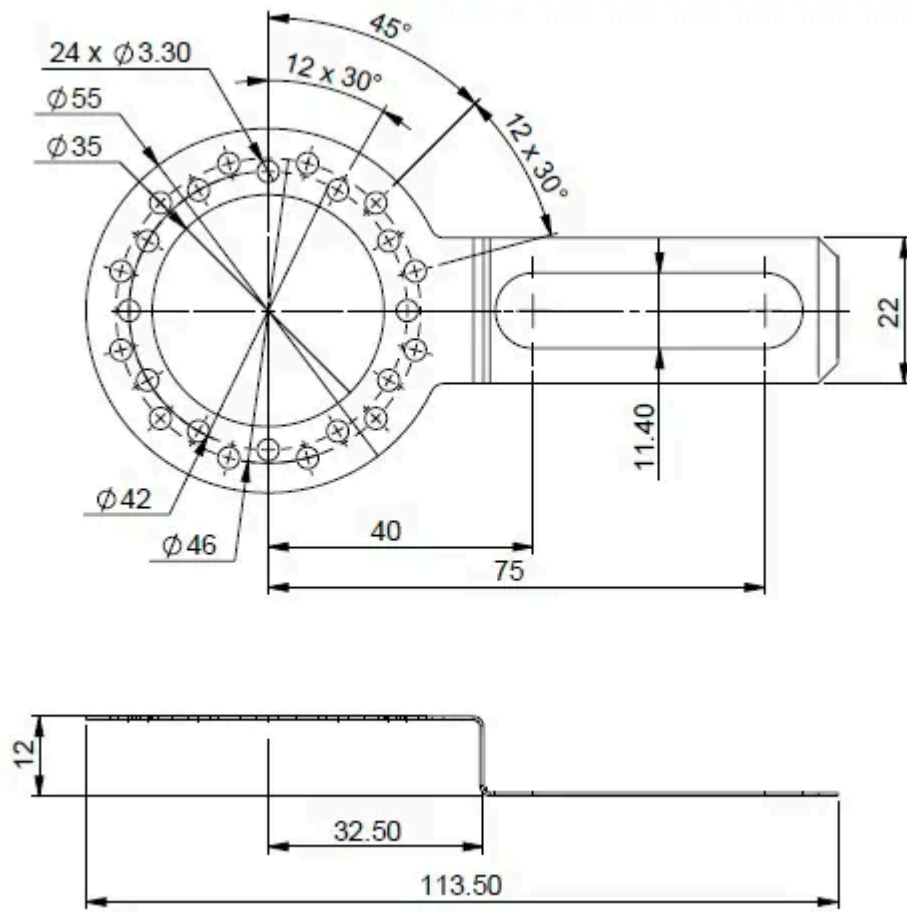
Tightening Torque 0.6 - 0.8Nm

Notes Includes 1x Stator Coupling, 4x M3 Screws, 4x Washers

Product Life Cycle

Product Life Cycle Established

Dimensional Drawing



Online Datasheet

